

TOMAHAWK 1025 CE, 1538 CE

ASSEMBLY PAGE NAME		Machine Assembly Tomahawk 1025	Machine Assembly Tomahawk 1538				
CODE NO.:	FIGURE NO.:	A	B				
52095	TH1025 CE	1	-				
52076	TH1538 CE	-	1				

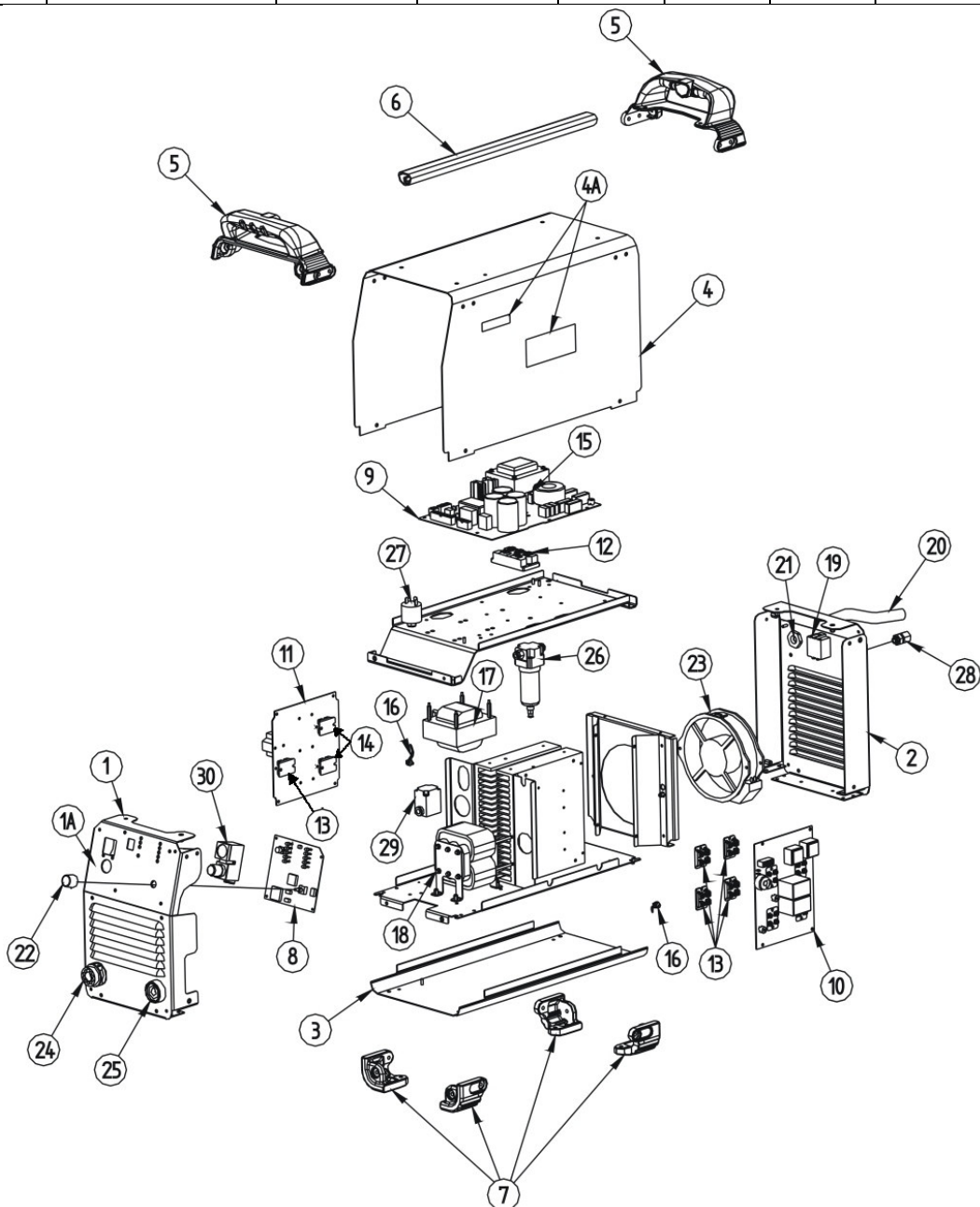


Figure A TOMAHAWK 1025

Figure A: Machine Assembly

Item	Description	Part Number	QTY	1	2	3	4
1	FRONT FRAME	W93X1165R	1	X			
1A	+ FRONT NAMEPLATE	+ W07X0917R	1	X			
2	REAR FRAME	W93X1166R	1	X			
3	BOTTOM FRAME	W93X1134R	1	X			
4	WRAPAROUND	W93X1133R	1	X			
4A	+ KIT SIDE NAMEPLATES TOMAHAWK	+ W07X1117R	2	X			
5	FRONT / REAR HANDLE	W95X1146R	2	X			
6	CENTRAL HANDLE	W92X0228-5R	1	X			
7	KIT 4 ANTI-SLIP FOOT	W95X1147R	1	X			
8	CONTROL P.C. BOARD	W05X0859R	1	X			
9	INPUT P.C. BOARD	W05X0855-1R	1	X			
10	INVERTER P.C. BOARD WITH IGBTs	W05X0857-1R	1	X			
11	OUTPUT P.C. BOARD WITH DIODEs AND IGBT	W05X0858-1R	1	X			
12	POWER INPUT BRIDGE	W4100012R	1	X			
13	POWER IGBTs	W4300070R	5	X			
14	POWER DIODEs	W4060100R	2	X			
15	AUXILIARY FUSE	W7300216R	1	X			
16	THERMOSTAT SENSOR	W9600071R	2	X			
17	OUT INDUCTOR	W58X0872R	1	X			
18	OUT TRANSFORMER	W59X0871R	1	X			
19	SWITCH	W7500203R	1	X			
20	INPUT CORD	W78X0952R	1	X			
21	CABLE CLAMP	W8400006R	1	X			
22	KNOB	W8700030R	1	X			
23	FAN	W7200007R	1	X			
24	TORCH SHROUD	W03X0935R	1	X			
25	DINSE CONNECTOR	W7600025R	1	X			
26	AIR FILTER	W8800200R	1	X			
27	PRESSURE SWITCH	W8800019R	1	X			
28	AIR INLET PASS-THROUGH	W8800215R	1	X			
29	SOLENOID VALVE	W8800202R	1	X			
30	PRESSURE GAUGE WITH PRESSURE REGULATOR	W8800203R	1	X			

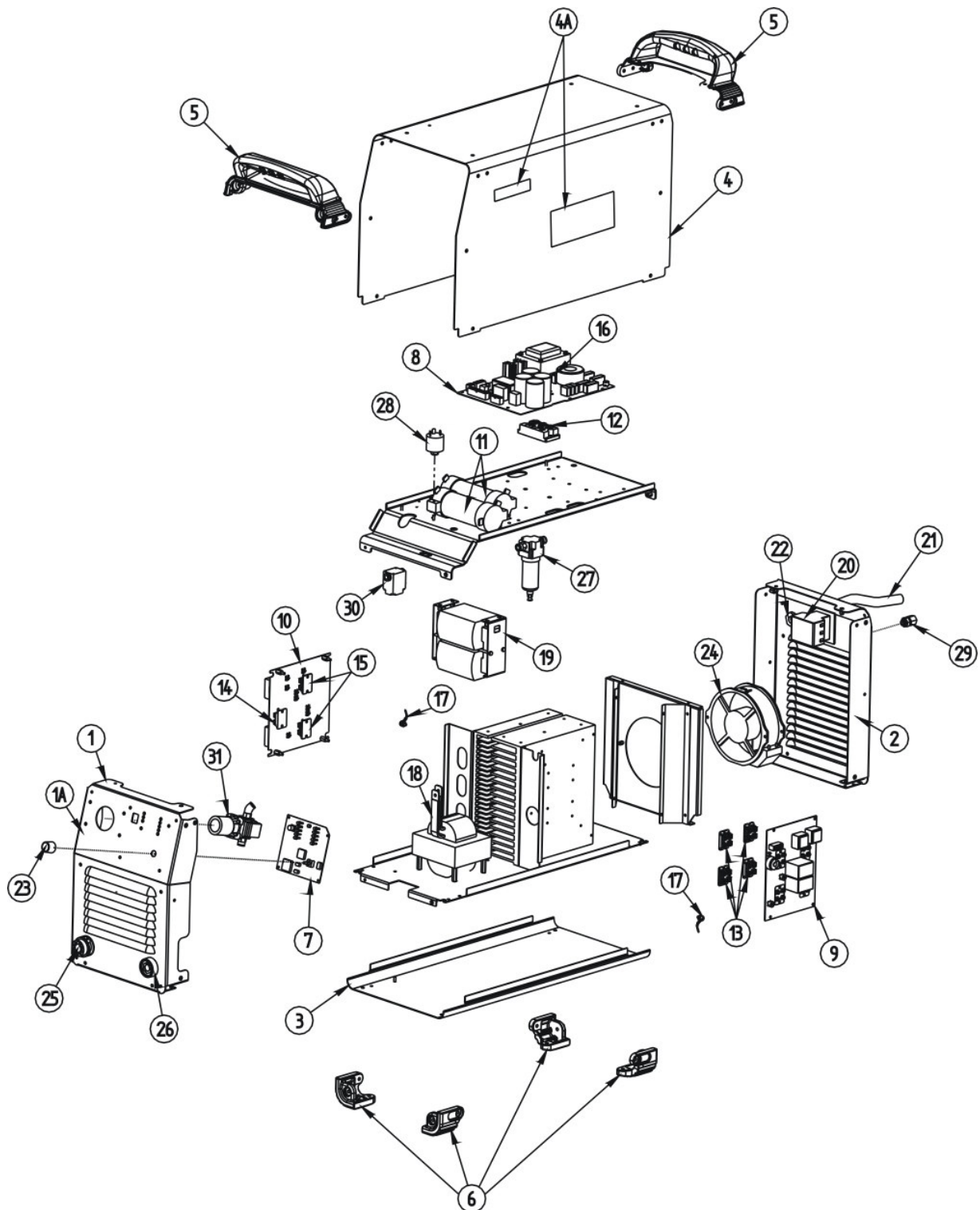


Figure B TOMAHAWK 1538

Figure B: Machine Assembly

Item	Description	Part Number	QTY	1	2	3	4
1	FRONT FRAME	W93X1151R	1	X			
1A	+ FRONT NAMEPLATE	+ W07X1053R	1	X			
2	REAR FRAME	W93X1152R	1	X			
3	BOTTOM FRAME	W93X1142R	1	X			
4	WRAPAROUND	W93X1141R	1	X			
4A	+ KIT SIDE NAMEPLATES TOMAHAWK	+ W07X1117R	1	X			
5	FRONT / REAR HANDLE	W95X1150R	2	X			
6	KIT 4 ANTI-SLIP FOOT	W95X1147R	1	X			
7	CONTROL P.C. BOARD	W05X0859R	1	X			
8	INPUT P.C. BOARD	W05X0855-2R	1	X			
9	INVERTER P.C. BOARD WITH IGBTs	W05X0857-2R	1	X			
10	OUTPUT P.C. BOARD WITH DIODEs AND IGBT	W05X0858-2R	1	X			
11	D.C. BUS SCREW CAPACITOR	W3488222R	2	X			
12	POWER INPUT BRIDGE	W4100012R	1	X			
13	POWER IGBTs	W4300073R	4	X			
14	POWER STATIC SWITCH IGBTs	W4300070R	1	X			
15	POWER DIODEs	W4010010R	2	X			
16	AUXILIARY FUSE	W7300216R	1	X			
17	THERMOSTAT SENSOR	W9600070R	2	X			
18	OUT INDUCTOR	W58X1005R	1	X			
19	OUT TRANSFORMER	W59X1006R	1	X			
20	SWITCH	W7511706R	1	X			
21	INPUT CORD	W78X0940R	1	X			
22	CABLE CLAMP	W8403222R	1	X			
23	KNOB	W8700030R	1	X			
24	FAN	W7200006R	1	X			
25	TORCH SHROUD	W03X0935R	1	X			
26	DINSE CONNECTOR	W7600025R	1	X			
27	AIR FILTER	W8800200R	1	X			
28	PRESSURE SWITCH	W8800019R	1	X			
29	AIR INLET PASS-THROUGH	W8800315R	1	X			
30	SOLENOID VALVE	W8800302R	1	X			
31	PRESSURE GAUGE WITH PRESSURE REGULATOR	W8800303R	1	X			