

CODE 50042, 50072, 50074, 50076, 50085, 50086, 50087

ASSEMBLY PAGE NAME			Machine Assembly	Machine Assembly	Machine Assembly (Rear side)
CODE NO.:	K NO.:	FIGURE NO.:	A	B	C
50042	K14020-1	POWERTEC 300S	1	-	1
50072	K14021-1A	POWERTEC 360S	-	1	2
50074	K14022-1A	POWERTEC 420S	-	2	3
50076	K14023-1A	POWERTEC 500S	-	3	3
50085	K14021-1W	POWERTEC 360S (WATER)	-	1	4
50086	K14022-1W	POWERTEC 420S (WATER)	-	2	5
50087	K14023-1W	POWERTEC 500S (WATER)	-	3	5

 - recommended parts

Figure A: Machine Assembly (PowerTec 300S)

Item	Description	Part Number	QTY	1
1	MAIN TRANSFORMER T1	B-4247-480-2R	1	X
	THERMAL SENSOR 120°C	1115-769-124R	1	X
2	RECTIFIER SET 1	1156-112-172R	1	X
	THERMAL SENSOR 115°C	1115-769-012R	1	X
3	FAN M1	1111-311-081R	1	X
4	AUXILIARY TRANSFORMER T2	C-4244-374-2R	1	X
5	CONTACTOR K1	1115-212-177R	1	X
6	CAPACITORS C1,C2,C3	1158-121-010R	3	X
7	CAPACITOR C4	1158-121-045R	1	X
8	VOLTAGE SWITCH S1	1115-260-167R	1	X
9	VOLTAGE SWITCH S2	1115-260-166R	1	X
10	MAIN SWITCH S3	1115-270-019R	1	X
11	SOCKET X1, X2	C-2986-001-2R	2	X
12	SOCKET X3	1158-641-130R	1	X
13	TURNING WHEEL	1029-660-101R	2	X
14	WHEEL	1029-660-201R	2	X
15	LEFT HOLDER	1362-212-002R	1	X
16	RIGHT HOLDER	1362-212-003R	1	X
17	EDGE SHIELD	1362-212-000R	1	X
18	HANDLE	0562-230-001R	1	X
19	RIGHT SIDE HANDLE ASSEMBLY + CAP	1362-212-007R	1+1	X
		1362-212-004R		
20	LEFT SIDE HANDLE ASSEMBLY + CAP	1362-212-006R	1+1	X
		1362-212-004R		
21	FRONT DECAL	2719-107-942R	1	X
22	CARRIAGE SUPPORT	1361-598-181R	1	X
23	GROUND CABLE WITH WORK CLAMP - 3m	K14012-1	1	X
24	RIGHT SIDE PANEL WITH LABEL	R-8040-073-1R	1	X
25	LEFT SIDE PANEL WITH LABEL	R-8040-072-1R	1	X
26	FRONT PANEL	R-3019-032-1/08R	1	X
27	TOP PANEL WITH LABELS	R-8040-071-1R	1	X
28	SPLASH-PROOF SHIELD	1115-299-073R	1	X
29	TERMINAL BLOCK	1361-599-255R	1	X
30	SUPPORT	R-8040-034-1/08R	1	X

31	RIGHT BRACKET (HANDLE)	D-3631-908-2/08R	1	X
32	LEFT BRACKET (HANDLE)	D-3631-908-1/08R	1	X
33	BOTTOM PANEL	C-3774-070-1/08R	1	X
34	SHELF	R-3019-033-1/08R	1	X
35	DIVIDER PANEL	R-3019-031-1/08R	1	X
36	WALL RING	C-3721-819-1/08R	1	X
37	CHAIN SUPPORT	C-2631-399-1/08R	1	X
38	LABEL (RIGHT SIDE PANEL)	2719-107-958R	1	X
39	LABEL (LEFT SIDE PANEL)	2719-107-957R	1	X
40	LABEL (UVWL1L2L3)	2719-107-076R	1	X
41	LABEL (WARNING)	2719-107-728R	1	X

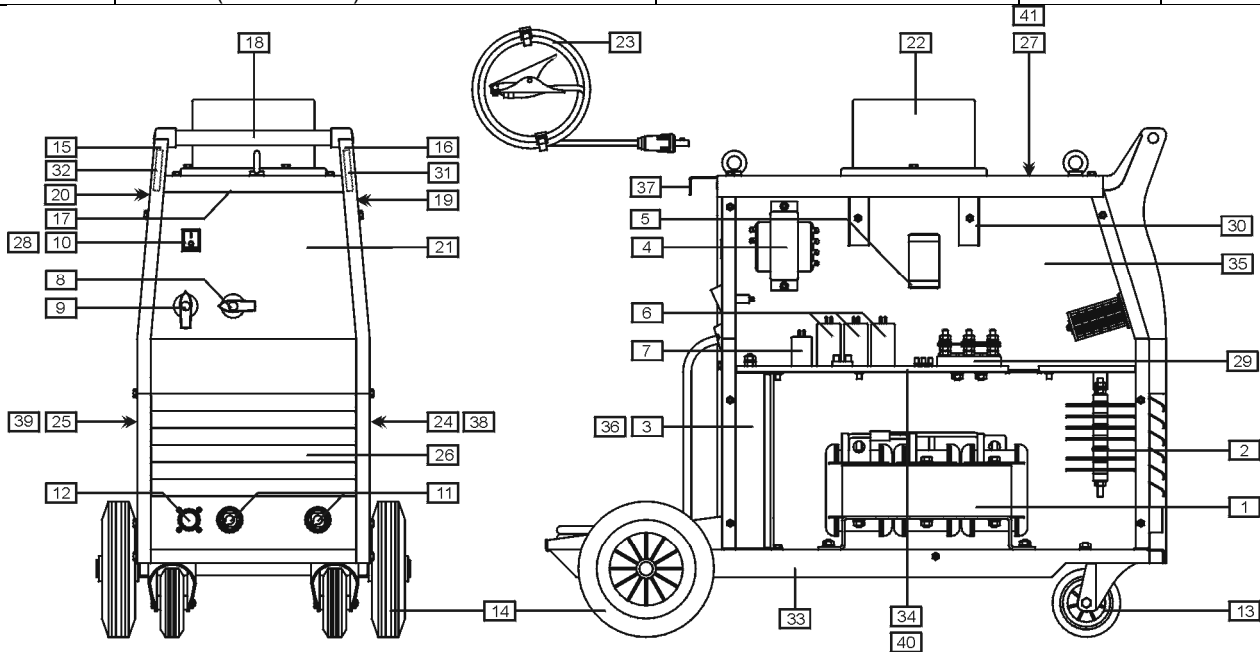


Figure A: Machine Assembly (PowerTec 300S)

Figure B: Machine Assembly (PowerTec 360S, 420S, 500S)

Item	Description	Part Number	QTY	1	2	3
1	MAIN TRANSFORMER T1	R-4034-013-2R	1	X	-	-
2	MAIN TRANSFORMER T1	R-4034-009-2R	1	-	X	-
3	MAIN TRANSFORMER T1	R-4034-004-2R	1	-	-	X
	THERMAL SENSOR 140°C	1115-769-013R	1	X	X	X
4	CHOKE L1	C-4244-383-4R	1	X	X	-
5	CHOKE L1	R-4034-001-2R	1	-	-	X
	THERMAL SENSOR 140°C	1115-769-013R	1	X	X	X
	THERMAL SENSOR 65°C	1115-769-053R	1	X	X	X
6	RECTIFIER SET 1	1156-112-070R	1	X	-	-
7	RECTIFIER SET 1	1156-112-071R	1	-	X	-
8	RECTIFIER SET 1	1156-112-072R	1	-	-	X
	THERMAL SENSOR 115°C	1115-769-012R	1	X	X	X
	THERMAL SENSOR 80°C	1115-769-003R	1	X	X	X
9	FAN M1	0874-111-003R	1	X	X	X
10	MAIN SWITCH S3	1115-270-019R	1	X	X	X
11	SOCKET X1, X2	C-2986-001-3R	1	X	X	X
12	SOCKET X3	1158-641-130R	1	X	X	X
13	VOLTMETER POLARITY SWITCH S4	1158-650-023R	1	X	X	X

14	AUXILIARY TRANSFORMER T2	C-4244-384-1R	1	X	X	X
15	LEFT HOLDER	1362-212-002R	1	X	X	X
16	RIGHT HOLDER	1362-212-003R	1	X	X	X
17	VOLTAGE SWITCH S1	1115-260-074R	1	X	X	-
18	VOLTAGE SWITCH S1	1115-260-224R	1	-	-	X
19	RIGHT SIDE HANDLE ASSEMBLY + CAP	1362-212-007R	1+1	X	X	X
		1362-212-004R				
20	LEFT SIDE HANDLE ASSEMBLY + CAP	1362-212-006R	1+1	X	X	X
		1362-212-004R				
21	RELAY K3	0918-412-021R	1	X	X	X
22	CARRIAGE SUPPORT	1361-598-181R	1	X	X	X
23	VOLTAGE SWITCH S2	1115-260-073R	1	X	X	-
24	VOLTAGE SWITCH S2	1115-260-223R	1	-	-	X
25	CONTACTOR K1	1115-212-178R	1	X	-	-
26	CONTACTOR K1	1115-212-179R	1	-	X	-
27	CONTACTOR K1	1115-212-180R	1	-	-	X
28	CAPACITORS C1,C2,C3	1158-125-373R	3	X	X	X
29	CAPACITOR C4	1158-121-001R	1	X	X	X
30	TURNING WHEEL	1029-660-127R	2	X	X	X
31	WHEEL	1029-660-250R	2	X	X	X
32	FRONT DECAL	2719-107-094R	1	X	X	X
33	HANDLE	0562-230-005R	1	X	X	X
34	EDGE SHIELD	1362-212-010R	1	X	X	X
35	GROUND CABLE WITH WORK CLAMP -3m	K14018-1	1	X	-	-
36	GROUND CABLE WITH WORK CLAMP -3m	K14019-1	1	-	X	-
37	GROUND CABLE WITH WORK CLAMP -3m	K14033-1	1	-	-	X
38	RIGHT SIDE PANEL WITH LABEL	R-8040-058-6R	1	X	-	-
39	RIGHT SIDE PANEL WITH LABEL	R-8040-058-4R	1	-	X	-
40	RIGHT SIDE PANEL WITH LABEL	R-8040-058-2R	1	-	-	X
41	LEFT SIDE PANEL WITH LABEL	R-8040-058-5R	1	X	-	-
42	LEFT SIDE PANEL WITH LABEL	R-8040-058-3R	1	-	X	-
43	LEFT SIDE PANEL WITH LABEL	R-8040-058-1R	1	-	-	X
44	FRONT PANEL	R-8040-022-1/08R	1	X	X	X
45	TOP PANEL WITH LABELS	R-8040-057-1R	1	X	X	X
46	POWER RESISTOR R1	1158-112-008R	1	X	X	X
47	BOTTOM PANEL	R-8040-030-1/08R	1	X	X	X
48	WALL RING	R-3019-024-1/08R	1	X	X	X
49	DIVIDER PANEL	R-8040-021-1/08R	1	X	X	X
50	SHELF	R-8040-025-1/08R	1	X	X	X
51	TRAY	R-8040-032-1/08R	1	X	X	X
52	CHAIN SUPPORT	C-2631-407-1/08R	1	X	X	X
53	METAL COUVER	R-8040-033-1/08R	1	X	X	X
54	SPLASH-PROOF SHIELD	1115-299-073R	1	X	X	X
55	TERMINAL BLOCK	1361-599-255R	1	X	X	X
56	SUPPORT	R-8040-034-1/08R	1	X	X	X
57	RIGHT BRACKET (HANDLE)	D-3631-908-2/08R	1	X	X	X
58	LEFT BRACKET (HANDLE)	D-3631-908-1/08R	1	X	X	X
59	LABEL (RIGHT SIDE PANEL)	2719-107-952R	1	X	-	-
60	LABEL (RIGHT SIDE PANEL)	2719-107-954R	1	-	X	-
61	LABEL (RIGHT SIDE PANEL)	2719-107-956R	1	-	-	X
62	LABEL (LEFT SIDE PANEL)	2719-107-951R	1	X	-	-
63	LABEL (LEFT SIDE PANEL)	2719-107-953R	1	-	X	-
64	LABEL (LEFT SIDE PANEL)	2719-107-955R	1	-	-	X
65	LABEL (UVWL1L2L3)	2719-107-076R	1	X	X	X
66	LABEL (WARNING)	2719-107-728R	1	X	X	X

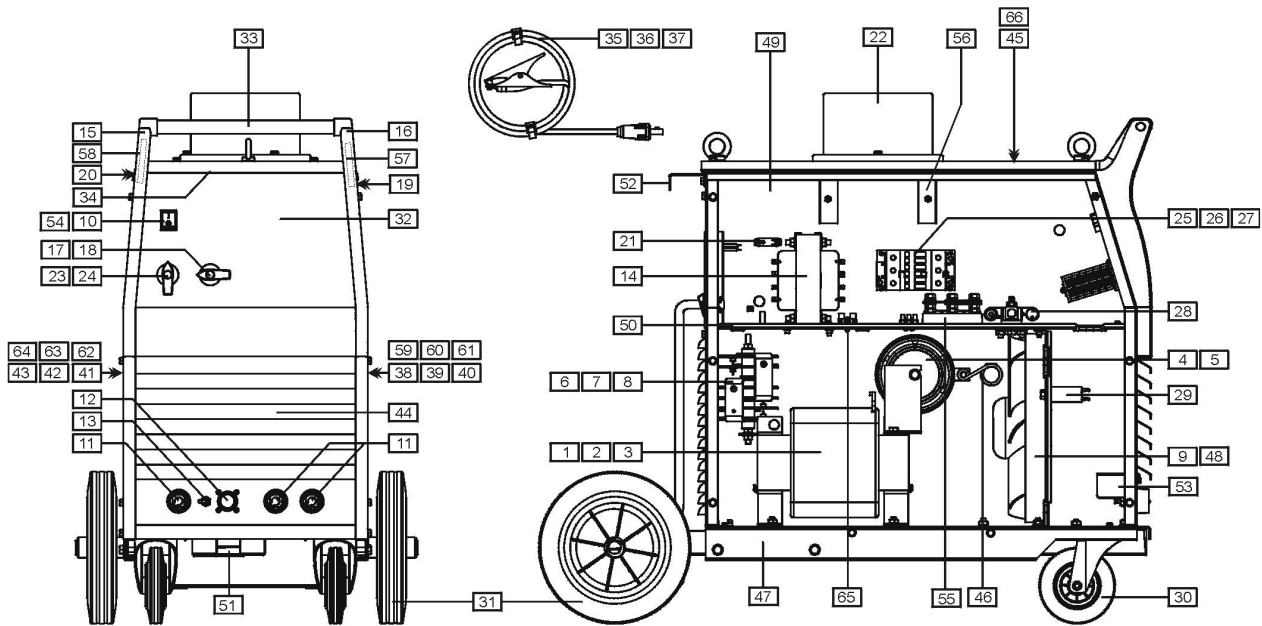


Figure B: Machine Assembly (PowerTec 360S , 420S , 500S)

Figure C: Machine Assembly (Rear side)

Item	Description	Part Number	QTY	1	2	3	4	5
1	MAINS CORD WITHOUT PLUG -5m (4x4mm ²)	D-5578-171-2R	1	X	X	-	X	-
2	MAINS CORD WITHOUT PLUG -5m (4x6mm ²)	D-5578-171-3R	1	-	-	X	-	X
3	FUSE F1 (3A, 400V)	1158-660-006R	1	X	X	X	X	X
4	FUSE SOCKET	1158-632-032R	1	X	X	X	X	X
5	FUSE CAP	1158-632-033R	1	X	X	X	X	X
6	CABLE BOX	1361-599-665R	1	X	X	X	X	X
7	CLAMP	1361-599-633R	1	X	X	X	X	X
8	HOLE PLUG	1361-599-058R	1	X	X	X	X	X
9	CIRCUIT BREAKER Q1 (ONLY WATER)	1115-299-027R	1	-	-	-	X	X
10	SOCKET X9 (ONLY WATER)	1131-222-004R	1	-	-	-	X	X
11	WATER COOLER (ONLY WATER)	K14037-1	1	-	-	-	X	X
12	COOLER BRACKET (ONLY WATER)	R-1019-070-1/02R	1	-	-	-	X	X
13	REAR PANEL	R-8040-070-1R	1	X	-	-	-	-
14	REAR PANEL	R-8040-031-1/08R	1	-	X	X	X	X
15	SHELF	R-3019-042-1/08R	1	-	X	X	-	-
16	SHELF	R-3019-026-1/08R	1	-	-	-	X	X
17	PANEL	D-3721-403-2/08R	1	-	X	X	-	-
18	PANEL	R-3019-045-1/08R	1	-	-	-	X	X
19	LABEL (F/3A)	2719-107-776R	1	X	X	X	X	X
20	HARNESS	R-7040-023-1R	1	X	-	-	-	-
21	HARNESS	R-7040-018-5R	1	-	X	-	-	-
22	HARNESS	R-7040-018-3R	1	-	-	-	X	-
23	HARNESS	R-7040-018-4R	1	-	-	X	-	-
24	HARNESS	R-7040-018-1R	1	-	-	-	-	X

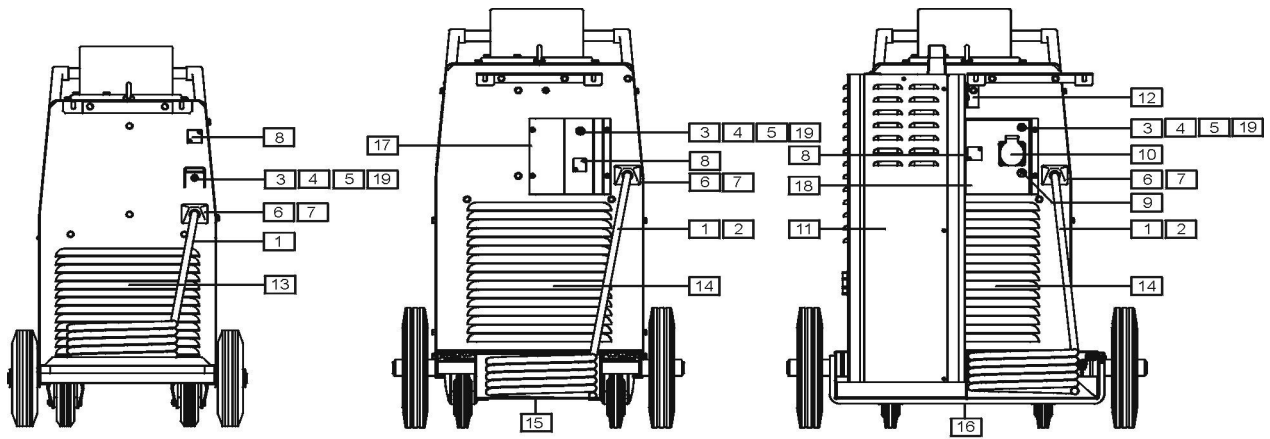


Figure C: Machine Assembly (Rear side)