

CODE 50143, 50144, 50146

Assembly			Figure			
Code NO.:	K NO.:	Product Name	A	B	C	D
50143	K14057-1	POWERTEC 305C PRO	1	1	1	1
50144	K14058-1	POWERTEC 355C PRO	2	2	2	1
50146	K14059-1A	POWERTEC 425C PRO	3	3	3	1

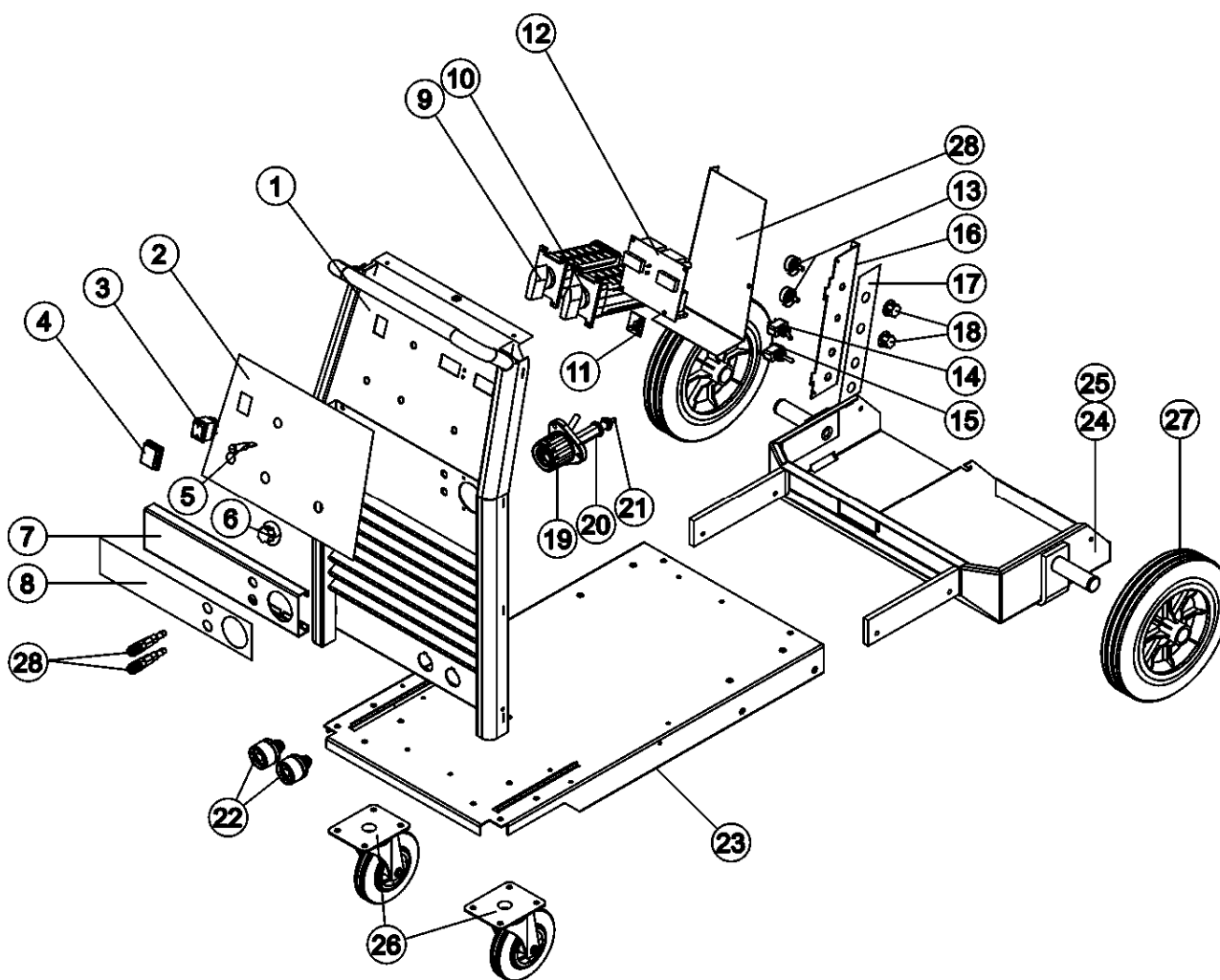


Figure A

Figure A: Machine Assembly Part A

No.	Description	Part Number	Qty	1	2	3
1	FRONT PANEL	R-3019-139-2/08R	1	x	x	x
2	LABEL	0010-217-1R	1	x	x	x
3	SWITCH W4,8 GREEN	1115-270-019R	1	x	x	x
4	BLACK FRAME SHIELD	1115-299-073R	1	x	x	x
5	LAMP	0917-421-024R	1	x	x	x
6	KNOB FI-38	9ET10491R	1	x	x	x
7	COVER	R-1019-155-1/02R	1	x	x	x
8	LABEL	R-0010-211-1R	1	x	-	-
	LABEL	R-0010-212-1R	1	-	x	-
	LABEL	R-0010-213-1R	1	-	-	x
9	CAM SWITCH LK25	1115-260-166R	1	x	-	-

	CAM SWITCH LK40	1115-260-073R	1	-	x	x
10	CAM SWITCH LK25	1115-260-167R	1	x	-	-
	CAM SWITCH LK40	1115-260-074R	1	-	x	x
11	PD-5 PC BOARD	D-3731-465-1R	1	x	x	x
12	US-67 PC BOARD	C-3731-400-2R	1	x	x	x
13	POTENTIOMETER	1158-113-304R	1	x	x	x
14	SWITCH 2FA53-73	1158-650-021R	1	x	x	x
15	SWITCH 6FC53-73	1158-650-022R	1	x	x	x
16	COVER	R-1019-186-1/08R	1	x	x	x
17	LABEL	R-0010-219-1R	1	x	x	x
18	KNOB FI-25	9ET13639-3R	2	x	x	x
19	EURO SLEEVE	1361-599-708R	1	x	x	x
20	SLEEVE	D-1891-179-1R	1	x	x	x
21	GUIDE WIRE	D-1829-066-2R	1	x	x	x
22	SOCKET	C-2986-011-3R	1	x	x	x
23	BASE	R-1019-150-1R	1	x	x	x
24	SHELF	R-3019-042-1R	1	x	x	-
25	SHELF	R-3019-026-1R	1	-	-	x
26	CASTER DIA 125	1029-660-127R	2	x	x	x
27	WHEEL SC250	1029-660-250R	2	x	x	x
28	COVER	R-1019-187-1/08R	2	x	x	x

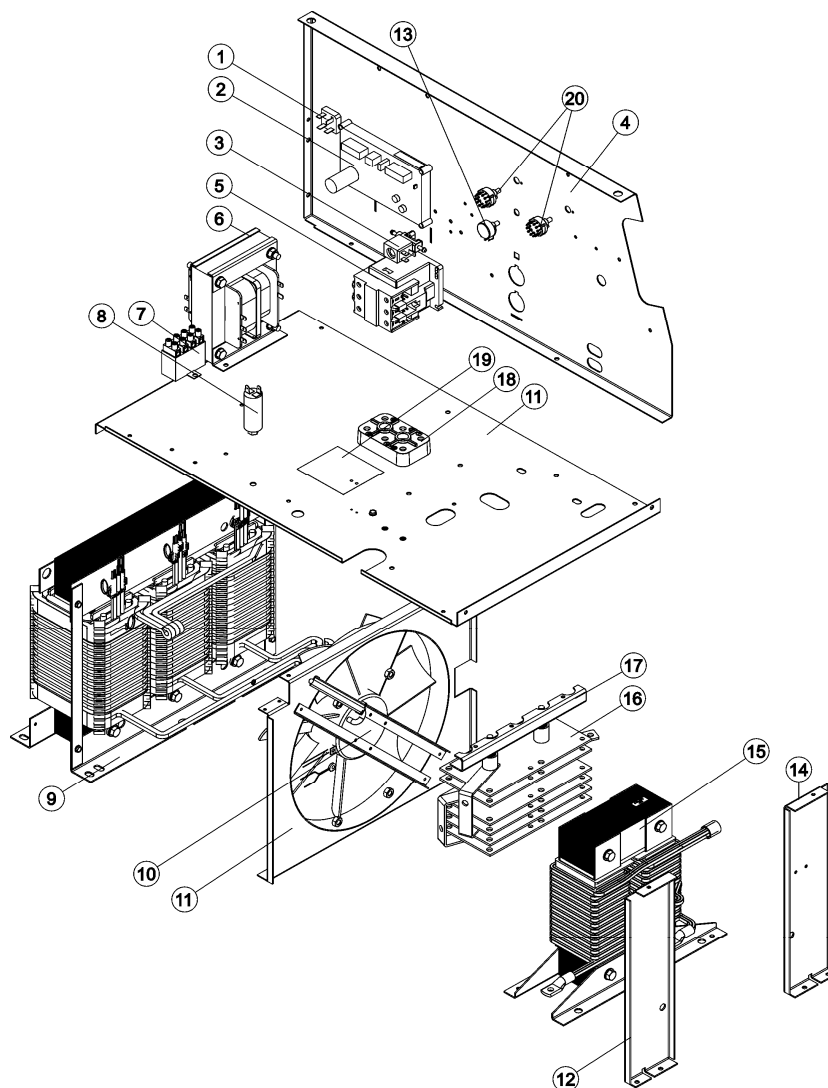


Figure B

Figure B: Machine Assembly Part B

No.	Description	Part Number	Qty	1	2	3
1	BRIDGE RECTIFIER	1156-112-044R	1	x	x	x
2	PC BOARD CIRCUIT	C-3731-399-3R	1	x	x	x
3	SOLENOID GAS SWITH	0972-423-012R	1	x	x	x
4	DIVIDER	R-3019-136-1/08R	1	x	x	x
5	CONTACTOR CI-30	1115-212-201R	1	x	-	-
	CONTACTOR CI-45	1115-212-242R	1	-	x	-
	CONTACTOR CI-50	1115-212-243R	1	-	-	x
6	TRANSFORMER	C-4244-384-1R	1	x	x	x
7	FILTER RC 3F	0874-400-011R	1	x	x	x
8	CAPACITOR TC886	1158-121-001R	1	x	x	x
9	MAIN TRANSFORMER	R-4034-058-1R	1	x	-	-
	MAIN TRANSFORMER	R-4034-069-1R	1	-	x	-
	MAIN TRANSFORMER	R-4034-068-1R	1	-	-	x
10	FAN	0874-111-003R	1	x	x	x
11	FAN ASSEMBLY	R-8040-055-3R	1	x	x	x
12	BRACKET	R-1019-176-1/08R	1	x	x	x
13	POTENTIOMETER	1158-113-304R	1	x	x	x
14	BRACKET	R-1019-176-2/08R	1	x	x	x
15	CHOCKE	R-4034-091-1R	1	x	x	x
16	3-PHASE BRIDGE RECTIFIER	R-0010-240-1R	1	x	-	-
	3-PHASE BRIDGE RECTIFIER	R-0010-241-1R	1	-	x	-
	3-PHASE BRIDGE RECTIFIER	R-0010-242-1R	1	-	-	x
	THERMAL SENSOR 115C	1115-769-004R	1	x	x	x
	THERMAL SENSOR 80C	1115-769-003R	1	x	x	x
17	BRACKET	R-1019-175-1/08R	1	x	x	x
18	TERMINAL BLOCK	1361-599-255R	1	x	x	x
19	LABEL	R-0010-221-1R	1	x	x	x
20	SWITCH-PRS	D-4542-012-2R	2	x	x	x

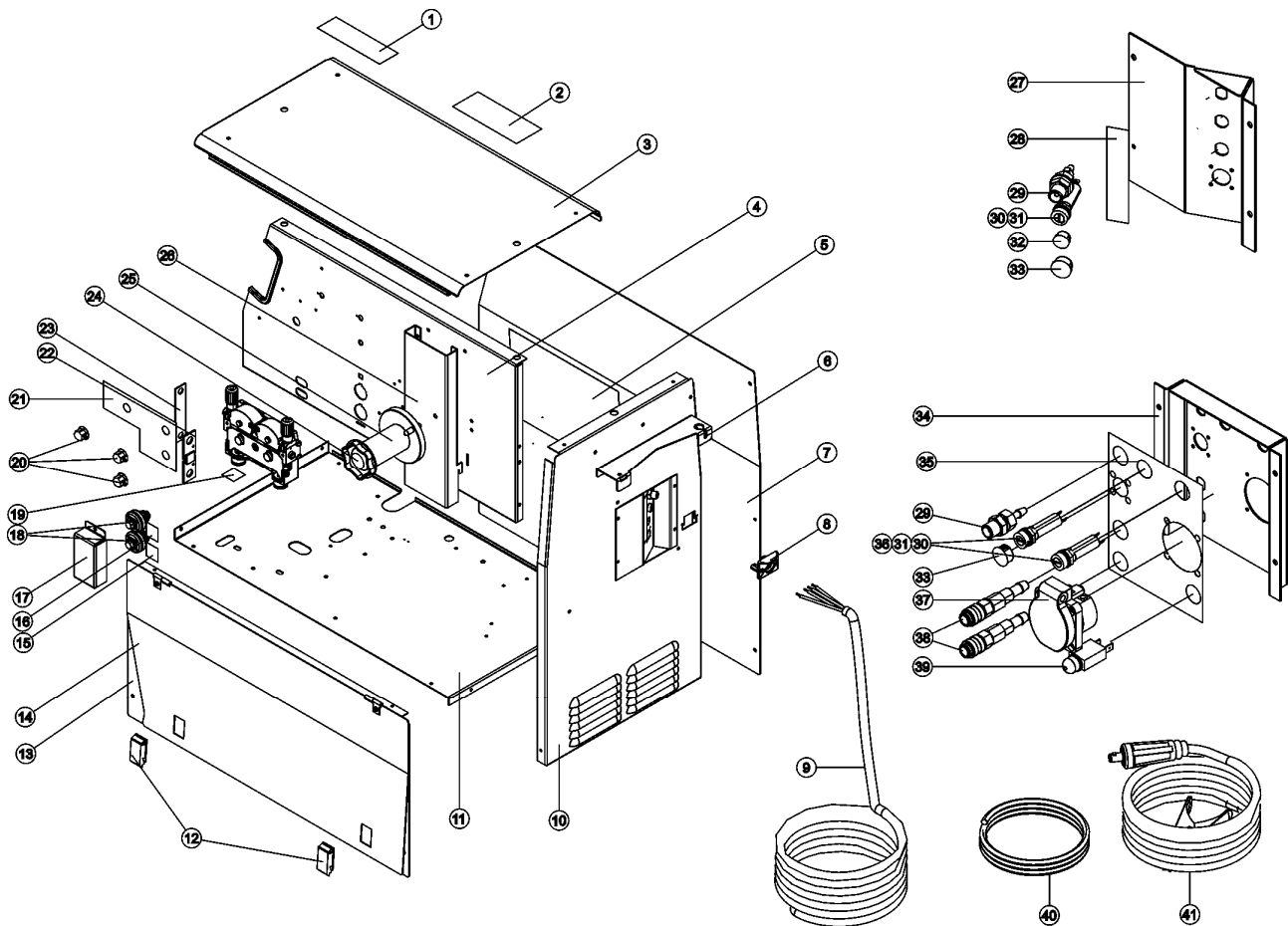


Figure C

Figure C: Machine Assembly Part C

No.	Description	Part Number	Qty	1	2	3
1	LABEL	2719-107-728R	1	X	X	X
2	LABEL	R-0010-279-1R	1	X	X	X
3	COVER	R-1019-154-1/02R	1	X	X	X
4	DIVIDER	R-3019-136-1/08R	1	X	X	X
5	LABEL	R-0010-269-1R	1	X	X	X
6	SUPPORT	R-1019-153-1/08R	1	X	X	X
7	LEFT SIDE PANEL	R-1019-177-1/02R	1	X	X	X
8	CABLE RELIEF	R-0010-258-1R	1	X	X	X
9	POWER CABLE	1124-311-025R	1	X	X	X
10	BACK PANEL	R-3019-137-1/08R	1	X	X	X
11	SHELF	R-3019-128-1/08R	1	X	X	X
12	BOLT	0654-610-004R	2	X	X	X
13	SIDE PANEL	R-1012-259-1/02R	1	X	X	X
14	SIDE PANEL	R-1012-275-1/02R	1	X	X	X
15	LABEL	R-0010-281-2R	1	X	X	X
16	LABEL	R-0010-281-1R	1	X	X	X
17	COVER	R-1019-158-1/08R	1	X	X	X
18	POLARISATION SOCKET	R-8040-235-1R	2	X	X	X
19	LABEL	2719-107-732R	1	X	X	X

20	KNOB FI25	9ET13639-3R	3	X	X	X
21	LABEL	R-0010-275-1R	1	X	X	X
22	SHUNT	0941-712-026R	1	X	X	X
23	LEAD	D-2218-186-1R	1	X	X	X
24	SLEEVE	0744-00-192R	1	X	X	X
25	PLASIC CAP	B11035-1R	1	X	X	X
	REEL HUB STANDARD	0744-000-192R	1	X	X	X
26	BRACKET	R-1019-159-1/08R	1	X	X	X
27	PANEL	R-1019-156-1/08R	1	X	X	•
28	LABEL	R-0010-223-1R	1	X	X	•
29	HOSE CONNECTION	D-1891-135-1R	1	X	X	X
30	FUSE SOCKET	1158-632-032R	1	X	X	•
	FUSE SOCKET	1158-632-033R	2	X	X	•
31	FUSE	1158-632-032R	1	•	•	X
32	HOLE PLUG	1158-632-033R	1	•	•	X
33	HOLE PLUG	1158-660-006R	1	X	X	X
34	PANEL	1361-599-130R	1	X	X	•
35	LABEL	1361-599-058R	1	X	X	•
36	FUSE	1119-510-005R	1	•	•	X
37	SOCKET 1-PHASE	R-1019-157-1/08R	1	•	•	x
38	QUICK COUPLING	R-0010-222-1R	2	•	•	X
39	FUSE	1158-660-084R	1	•	•	X
40	REINFORCED HOSE	1131-222-004R	1	•	•	X
41	WELDING CABLE	0744-000-150R	1	•	•	X
	WELDING CABLE	1115-299-027R	1	•	•	X
	WELDING CABLE	D-5578-174-1R	1	X	X	X

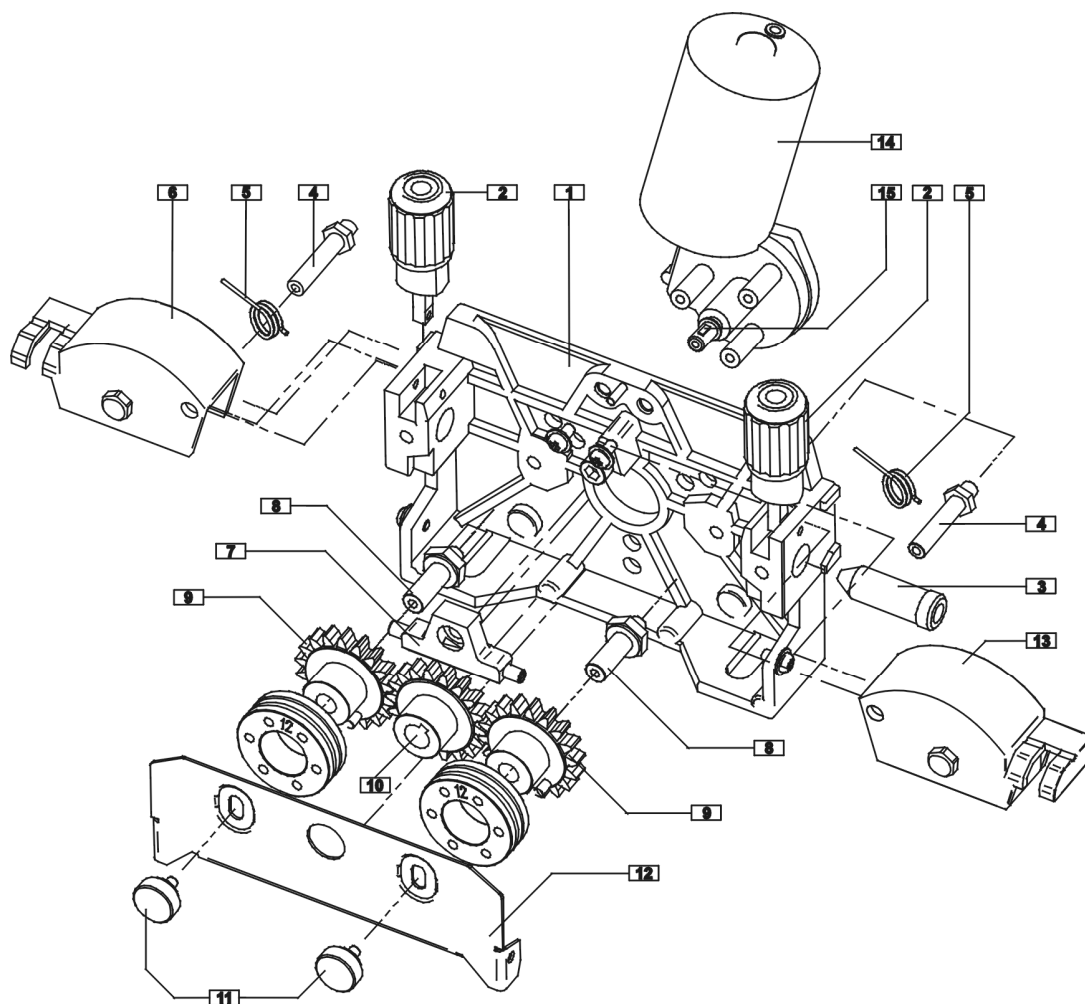


Figure D

Figure D: Wire Drive Assembly

No.	Description	Part Number	Qty	1	2	3
	WIRE FEEDER COMPL.	0744-000-165R	1	X	-	-
1	FEED PLATE	0646-233-002R	1	X	-	-
2	FIXING ARM COMPL.	0646-233-015R	2	X	-	-
3	INLET GUIDE	0646-233-025R	1	X	-	-
4	AXIS PRESSURE ARM	0646-233-003R	2	X	-	-
5	SPRING PRESSURE ARM	0646-233-013R	2	X	-	-
6	PRESSURE ARM COMPL.L	0646-233-007R	1	X	-	-
7	INTERMEDIATE GUIDE	0646-233-023R	1	X	-	-
8	AXIS DRIVE ROLL	0646-233-020R	2	X	-	-
9	GEAR WHEEL ROLL	0646-231-090R	2	X	-	-
10	GEAR WHEEL MOTOR	0646-233-028R	1	X	-	-
11	FIXING CAP	0744-000-190R	2	X	-	-
12	METAL COVER	0646-233-027R	1	X	-	-
13	PRESSURE ARM COMPL.R	0646-233-005R	1	X	-	-
14	MOTOR -38V	1111-722-047R	1	X	-	-
15	WOODRUFF KEY	0646-231-102R	1	X	-	-