

CODE 50135, 50136, 50137, 50138, 50139, 50140, 50141, 50142

ASSEMBLY PAGE NAME			Machine Assembly	Machine Assembly	Feeding Unit Assembly: (2 /-4 Rolls Wire Drive System)	
CODE NO.:	K NO.:	FIGURE NO.:	A	B	C	
50135	K14054-1	POWERTEC-205C 400V3Ph	1	1	1	
50136	K14054-2	POWERTEC-205C 230/400V3Ph	2	2	1	
50137	K14055-1	POWERTEC-255C 400V3Ph	3	3	1	
50138	K14055-2	POWERTEC-255C 230/400V3Ph	4	4	1	
50139	K14056-1	POWERTEC-305C 400V3Ph	5	5	1	
50140	K14056-2	POWERTEC-305C 230/400V3Ph	6	6	1	
50141	K14056-3	POWERTEC-305C 4R 400V3Ph	7	7	2	
50142	K14056-4	POWERTEC-305C 4R 230/400V3Ph	8	8	2	

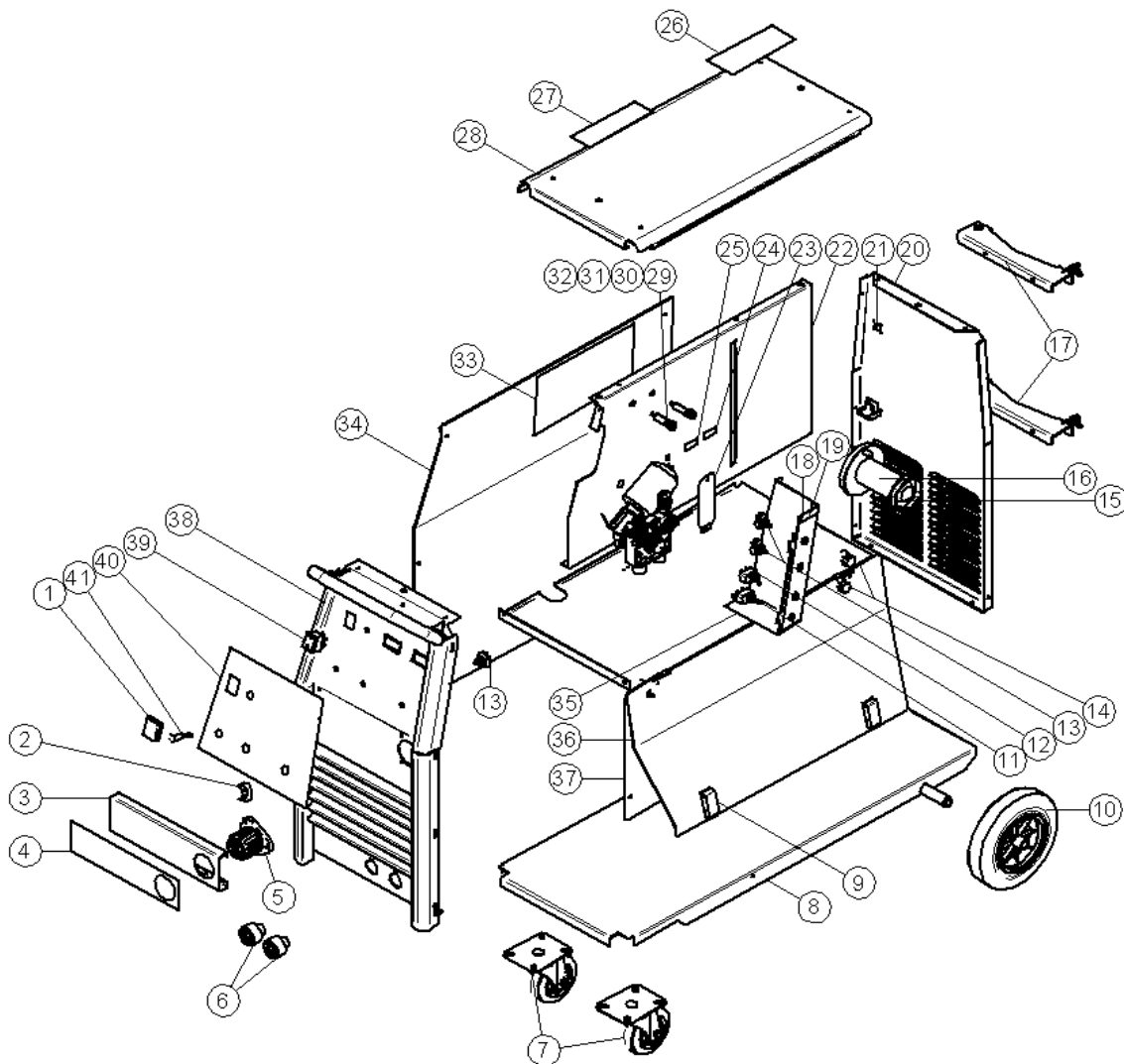


Figure A

Figure A

No.	Description	Part Number	Qty	1	2	3	4	5	6	7	8
1	BLACK FRAME SHIELD	1115-299-073R	1	X	X	X	X	X	X	X	X
2	KNOB	9ET10491R	3	X	X	X	X	X	X	X	X
3	COVER	R-1019-205-1/02R	1	X	X	X	X	X	X	X	X
4	LABEL	R-0010-256-1R	1	-	-	-	-	X	X	X	X
	LABEL	R-0010-255-1R	1	-	-	X	X	-	-	-	-
	LABEL	R-0010-266-1R	1	X	X	-	-	-	-	-	-
5	EURO COVER	C-2611-010-1R	1	X	X	X	X	X	X	X	X
6	WELDING SOCKET	C-2986-001-2R	2	X	X	X	X	X	X	X	X
7	WHEEL	1029-660-101R	2	X	X	X	X	X	X	X	X
8	BASE	R-3019-179-1/08R	1	-	-	X	X	X	X	X	X
	BASE	R-3019-121-2/08R	1	X	X	-	-	-	-	-	-
9	LOCK	0654-610-004R	2	X	X	X	X	X	X	X	X
10	WHEEL	1029-660-201R	2	X	X	X	X	X	X	X	X
11	SWITCH	1158-650-022R	1	X	X	X	X	X	X	X	X
12	SWITCH	1158-650-021R	1	X	X	X	X	X	X	X	X
13	POTENTIOMETR	1158-113-304R	2	X	X	X	X	X	X	X	X
14	KNOB	9ET13639-3R	2	X	X	X	X	X	X	X	X
15	PLASIC CAP	B11035-1R	1	X	X	X	X	X	X	X	X
16	SLEEVE	0744-00-192R	1	X	X	X	X	X	X	X	X
17	SUPPORT	R-1019-153-1/08R	2	-	-	X	X	X	X	X	X
18	COVER	R-1019-186-1/08R	1	X	X	X	X	X	X	X	X
19	LABEL	R-0010-280-1R	1	X	X	X	X	X	X	X	X
20	BACK PANEL	R-1019-198-1/08R	1	-	-	X	X	X	X	X	X
	BACK PANEL	R-1012-202-4/08R	1	X	X	-	-	-	-	-	-
21	HOLE PLUG	1361-599-058R	1	X	X	X	X	X	X	X	X
22	DIVIDER	R-3019-182-1/08R	1	-	-	X	X	X	X	X	X
	DIVIDER	R-1012-207-3/08R	1	X	X	-	-	-	-	-	-
23	COVER	R-1019-202-1/02R	1	X	X	X	X	X	X	X	X
24	LABEL	2719-107-111R	1	X	X	X	X	X	X	X	X
25	LABEL	R-0010-193-1R	1	-	-	X	X	X	X	X	X
	LABEL	R-0010-276-1R	1	X	X	-	-	-	-	-	-
26	LABEL	R-0010-279-1R	1	X	X	X	X	X	X	X	X
27	LABEL	D-2837-728-1R	1	X	X	X	X	X	X	X	X
28	TOP PANEL	R-1019-199-1/08R	1	-	-	X	X	X	X	X	X
	TOP PANEL	R-1012-209-2/08R	1	X	X	-	-	-	-	-	-
29	FUSE SOCKET	1158-632-032R	2	X	X	X	X	X	X	X	X
30	FUSE CAP	1158-632-033R	2	X	X	X	X	X	X	X	X
31	FUSE 2A	1158-660-010R	1	X	X	X	X	X	X	X	X
32	FUSE 4A	1158-660-084R	1	X	X	X	X	X	X	X	X
33	LABEL	R-0010-298-1R	1	-	-	X	-	X	-	X	-
	LABEL	R-0010-299-1R	1	-	-	-	X	-	X	-	X
	LABEL	R-0010-265-1R	1	X	-	-	-	-	-	-	-
	LABEL	R-0010-264-1R	1	-	X	-	-	-	-	-	-

34	LEFT SIDE PANEL	R-1019-216-1R	1	-	-	X	X	X	X	X	X	X
	LEFT SIDE PANEL	R-1019-189-1R		X	X	-	-	-	-	-	-	-
35	COVER	R-1019-197-1/08R	1	X	X	-	-	-	-	-	-	-
	COVER	R-1019-203-1/08R	1	-	-	X	X	X	X	X	X	X
36	SIDE PANEL	R-1019-217-1R	1	-	-	X	X	X	X	X	X	X
	SIDE PANEL	R-1019-190-1R	1	X	X	-	-	-	-	-	-	-
37	SIDE PANEL	R-3019-184-1/02R	1	-	-	X	X	X	X	X	X	X
	SIDE PANEL	R-1012-211-1/02R	1	X	X	-	-	-	-	-	-	-
38	FRONT PANEL	R-3019-180-1/08R	1	-	-	X	X	X	X	X	X	X
	FRONT PANEL	R-3019-120-4/08R	1	X	X	-	-	-	-	-	-	-
39	SWITCH	1115-270-019R	1	X	X	X	X	X	X	X	X	X
40	LABEL	R-0010-254-1R	1	X	X	X	X	X	X	X	X	X
41	LAMP	0917-421-024R	1	X	X	X	X	X	X	X	X	X

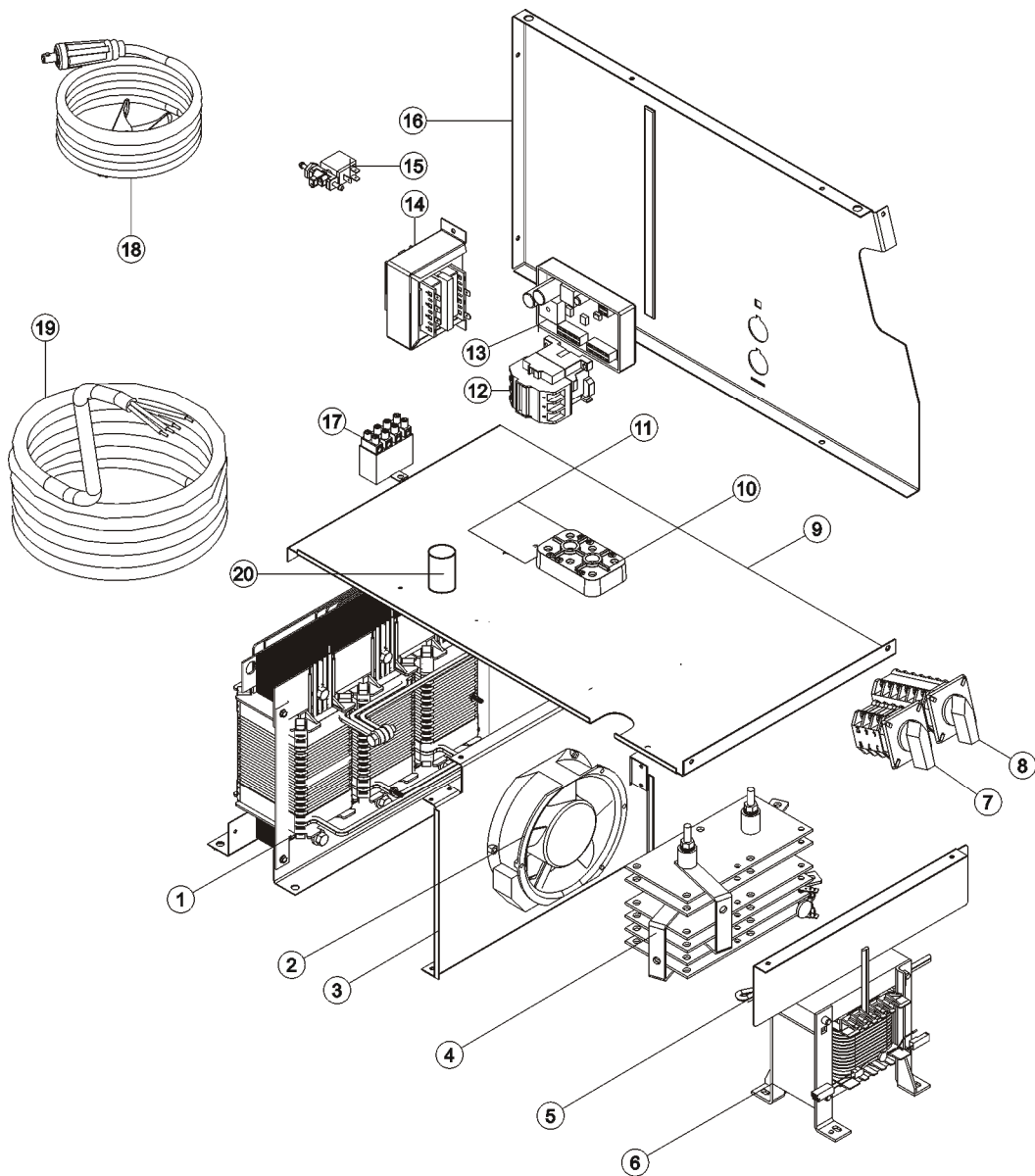


Figure B.

Figure B

No.	Description	Part Number	Qty	1	2	3	4	5	6	7	8
1	MAIN TRANSFORMER	R-4034-080-1R	1	X	X	-	-	-	-	-	-
	MAIN TRANSFORMER	R-4034-082-1R	1	-	-	X	X	-	-	-	-
	MAIN TRANSFORMER	R-4034-083-1R	1	-	-	-	-	X	X	X	X
2	FAN	0873-100-031R	1	X	X	X	X	-	-	-	-
	FAN	1111-311-081R	1	-	-	-	-	X	X	X	X
3	DIVIDER	R-1019-204-1/08R	1	X	X	-	-	-	-	-	-
	DIVIDER	R-1019-201-1/08R	1	-	-	X	X	-	-	-	-
	DIVIDER	R-3019-183-1/08R	1	-	-	-	-	X	X	X	X
4	RECTIFIER SET	R-0010-309-1R	1	X	X	-	-	-	-	-	-
	RECTIFIER SET	R-0010-294-1R	1	-	-	X	X	-	-	-	-
	RECTIFIER SET	R-0010-295-1R	1	-	-	-	-	X	X	X	X
5	SHIELD	R-1019-220-1/08R	1	-	-	X	X	X	X	X	X
6	CHOKE	R-4034-089-1R	1	X	X	X	X	X	X	X	X
7	SWITCH	1115-260-166R	1	-	-	X	X	X	X	X	X
	SWITCH	1115-266-168R	1	X	X	-	-	-	-	-	-
8	SWITCH	1115-260-167R	1	-	-	X	X	X	X	X	X
9	SHELF	R-3019-181-1/08R	1	-	-	X	X	X	X	X	X
	SHELF	R-3019-123-3	1	X	X	-	-	-	-	-	-
10	TERMINAL BLOCK	1361-599-255R	1	-	X	-	X	-	X	-	X
11	LABEL	R-0010-221-1R	1	-	X	-	X	-	X	-	X
12	CONTACTOR CI-16	1115-212-220R	1	X	X	X	-	-	-	-	-
	CONTACTOR CI-25	1115-212-219R	1	-	-	-	X	X	-	X	-
	CONTACTOR CI-30	1115-212-210R	1	-	-	-	-	-	X	-	X
13	P. C. BOARD US-69	0918-432-096R	1	X	X	X	X	X	X	X	X
14	AUXILIARY TRANSFORMER	C-4244-374-2R	1	X	X	X	X	X	X	X	X
15	SOLENOID GAS	0972-423-005R	1	X	X	X	X	X	X	X	X
16	DIVIDER	R-3019-182-1/08R	1	-	-	X	X	X	X	X	X
	DIVIDER	R-1012-207-3/08R	1	X	X	-	-	-	-	-	-
17	RC FILTER	0874-400-011R	1	X	X	X	X	X	X	X	X
18	MAS CABLE	R-5041-024-1R	1	X	X	X	X	X	X	X	X
19	POWER CABLE	D-5578-176-1R	1	X	X	-	-	-	-	-	-
	POWER CABLE	D-5578-171-1R	1	-	-	X	-	X	-	X	-
	POWER CABLE	D-5578-171-2R	1	-	-	-	X	-	X	-	X
20	CAPACITOR	1158-121-045R	1	-	-	-	-	X	X	X	X

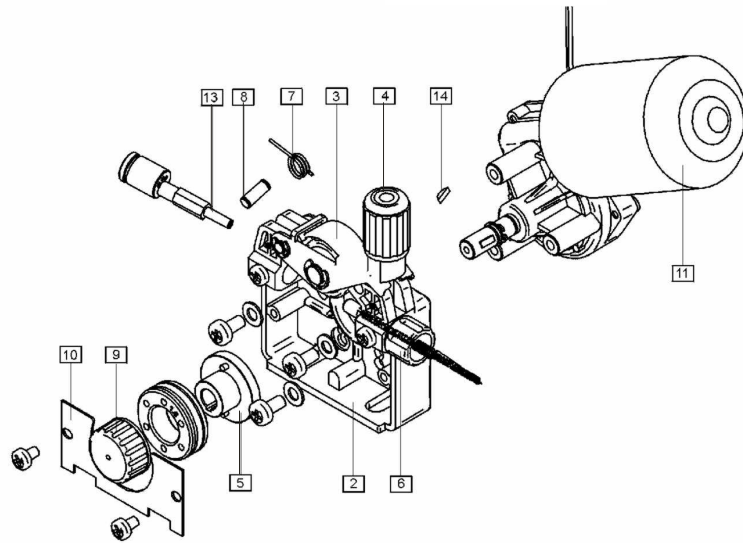


Figure C₁: 2 Rolls Wire Drive System (Standard)

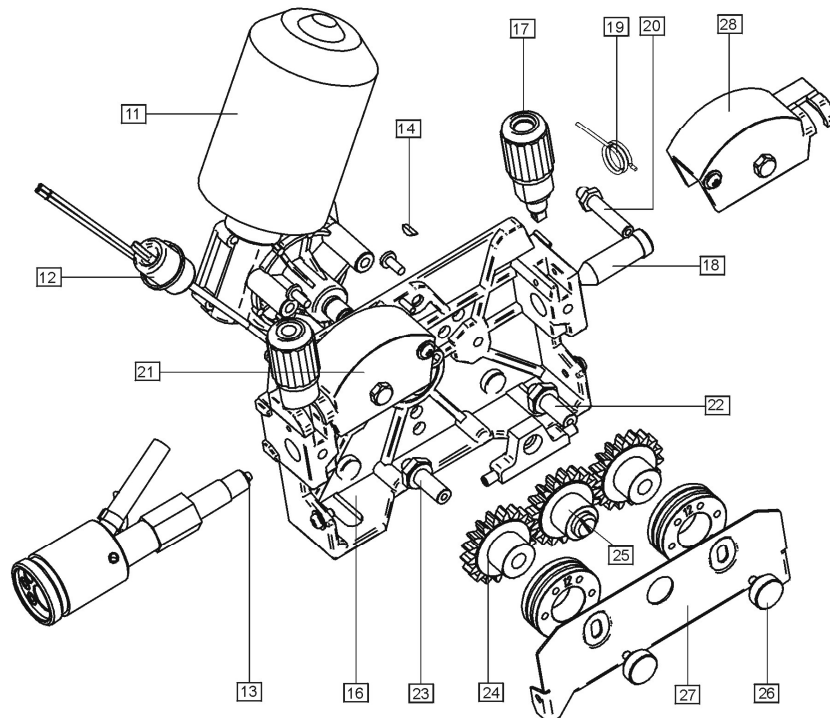


Figure C₂: 4 Rolls Wire Drive System (POWERTEC 305C Only)

Figure C

No.	Description	Part Number	Qty	1	2	3	4	5	6
1	WIRE FEEDER COMPLETE	0744-000-160R	1	X	•				
2	FEED PLATE	0744-000-219R	1	X	•				
3	PRESSURE ARM COMPLETE	0744-000-221R	1	X	•				
4	FIXING ARM COMPL.	0744-000-223R	1	X	•				
5	ADAPTER COPL.	0744-000-227R	1	X	•				
6	INLET GUIDE COMPLETE	0744-000-224R	1	X	•				
7	SPRING PRESSURE ARM	0744-000-220R	1	X	•				
8	AXIS PRESSURE ARM	0646-231-120R	1	X	•				
9	FIXING CAP	0744-000-216R	1	X	•				
10	METAL COVER	0744-000-218R	1	X	•				
11	D.C. MOTOR	0744-000-229R	1	X	X				
12	FERRITE TUBE	1158-290-036R	1	X	X				
13	WIRE GUIDE TUBE	D-1829-066-4R	1	X	X				
14	WOODRUFF KEY	0646-231-102R	1	X	X				
15	WIRE FEEDER COMPLETE	0744-000-167R	1	•	X				
16	FEED PLATE	0646-233-002R	1	•	X				
17	FIXING ARM COMPLETE	0646-233-015R	2	•	X				
18	INLET GUIDE	0646-233-025R	1	•	X				
19	AXIS PRESSURE ARM	0646-233-003R	2	•	X				
20	SPRING PRESSURE ARM	0646-233-013R	2	•	X				
21	PRESSURE ARM COMPLETE LEFT	0646-233-007R	1	•	X				
22	INTERMEDIATE GUIDE	0646-233-023R	1	•	X				
23	AXIS DRIVE ROLL	0646-233-020R	2	•	X				
24	GEAR WHEEL ROLL	0646-231-090R	2	•	X				
25	GEAR WHEEL MOTOR	0646-233-028R	1	•	X				
26	FIXING CAP	0646-233-022R	2	•	X				
27	METAL COVER	0646-233-027R	1	•	X				
28	PRESSURE ARM COMPLETE RIGHT	0646-233-005R	1	•	X				