

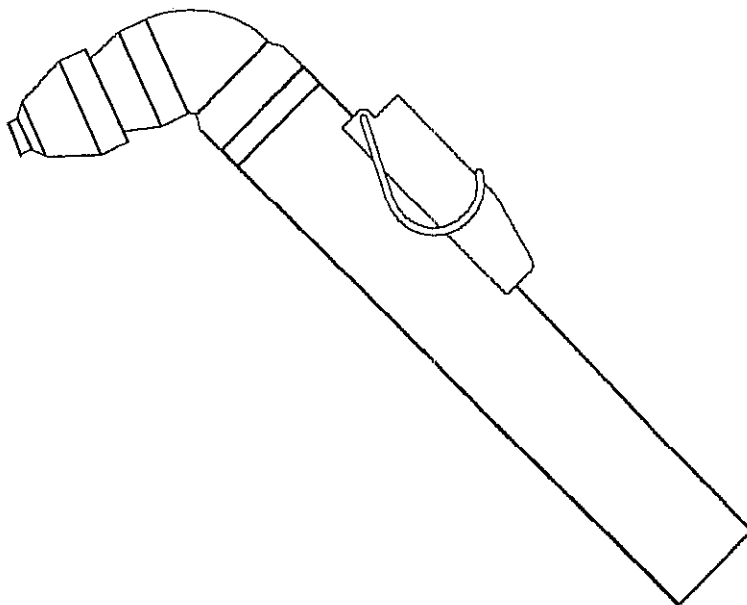
T35, T70/MT70, T100/MT100 och T120 W/MT 120W



## SÄKERHETEN BEROR PÅ DIG

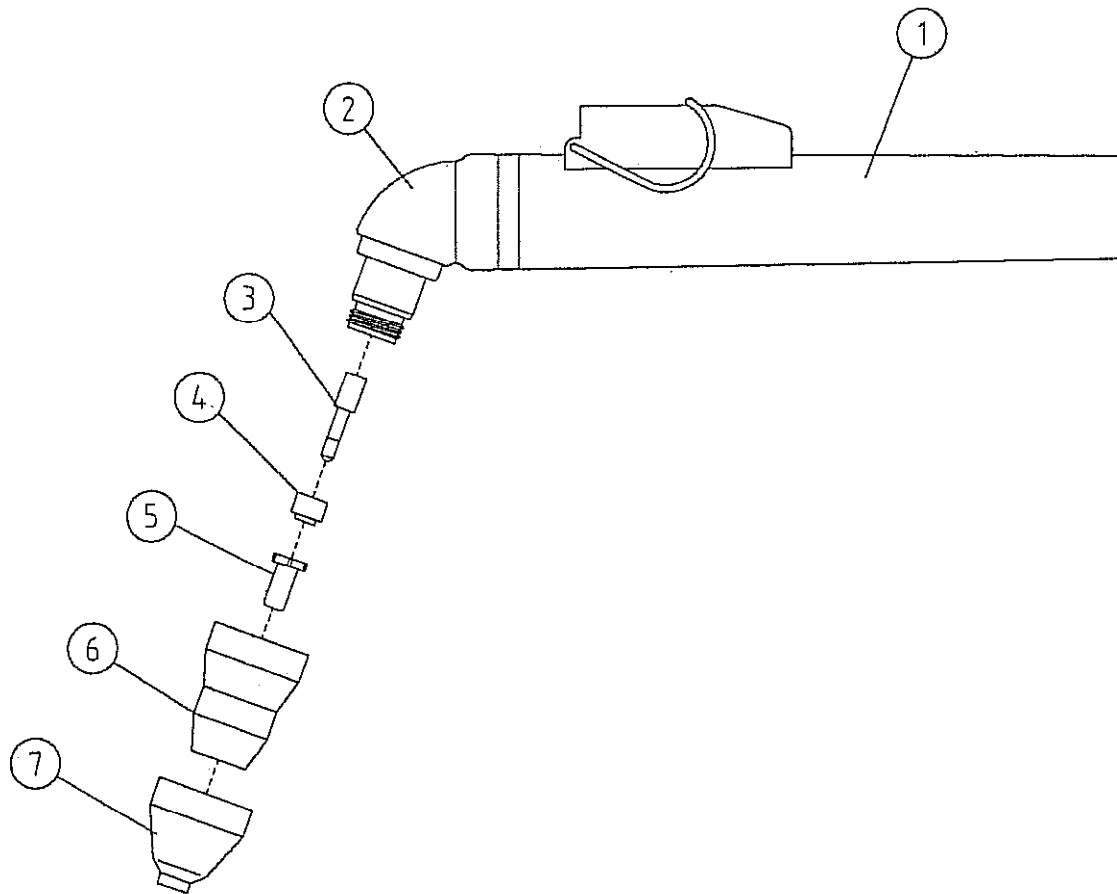
Lincoln Electric's utrustning är konstruerad och tillverkad med säkerheten i tankarna. Men din säkerhet kan ökas av riktig installation och användning.

Tänk innan du handlar, och var försiktig!



Förbrukningsdelar och tillbehör

# LUFTKYLD PLASMABRÄNNARE T35 FÖR PC20

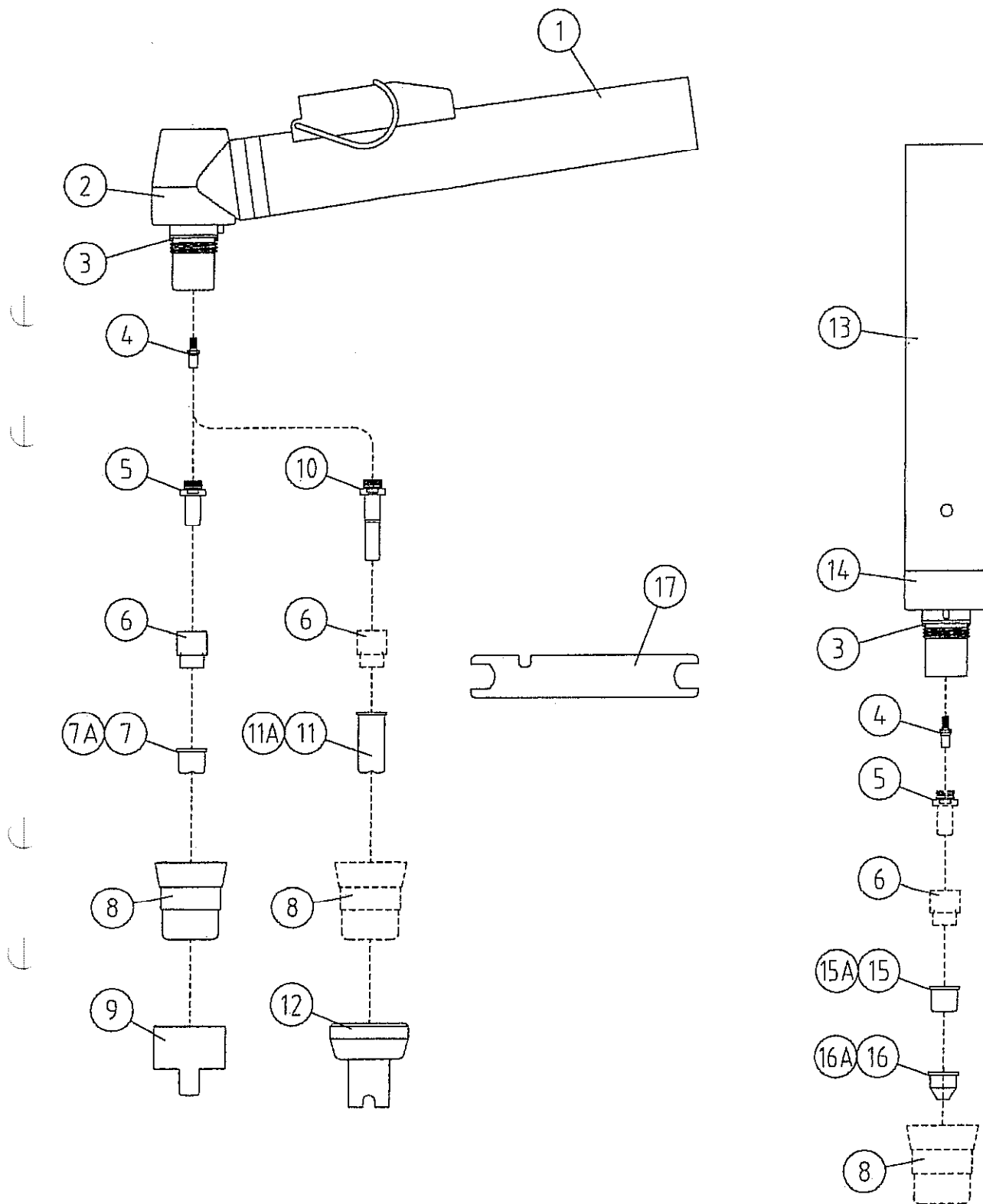


## TECHNICAL DATA:

Security system: electrical  
 Ignition: with pilot current and HF ignition  
 Max cutting current: 20 amp.  
 Gas supply: Clean, dry air at 3,5 bar - 90 lt/min.

Ref.	Code n.	Description	N. of pieces per package	Suggested min. inventory (per machine)	Suggested additional inventory (per 10 machine)
-	W0400042	Straight handle torch, complete, 4mt. cable	1		
-	W0300315	Torch cable (4mt)	1		
-	WBC0105	First kit of consumables (3 electrodes, 3 nozzles and 1 swirl ring)			
1	W0300172	Straight handle torch body with switch	1		1
2	W0300309	Straight handle torch head	1		1
3	WB300310	Electrode	10	2	
4	WB300311	Swirl ring	5	1	
5	WB300312	Nozzle, Ø0,8	10	2	
6	WB300313	Nozzle retaining cap.	1	1	
7	WB300314	Shield cup (CE)	2	1	

# LUFTKYLD PLASMABRÄNNARE T70/MT70 FÖR PC40/60

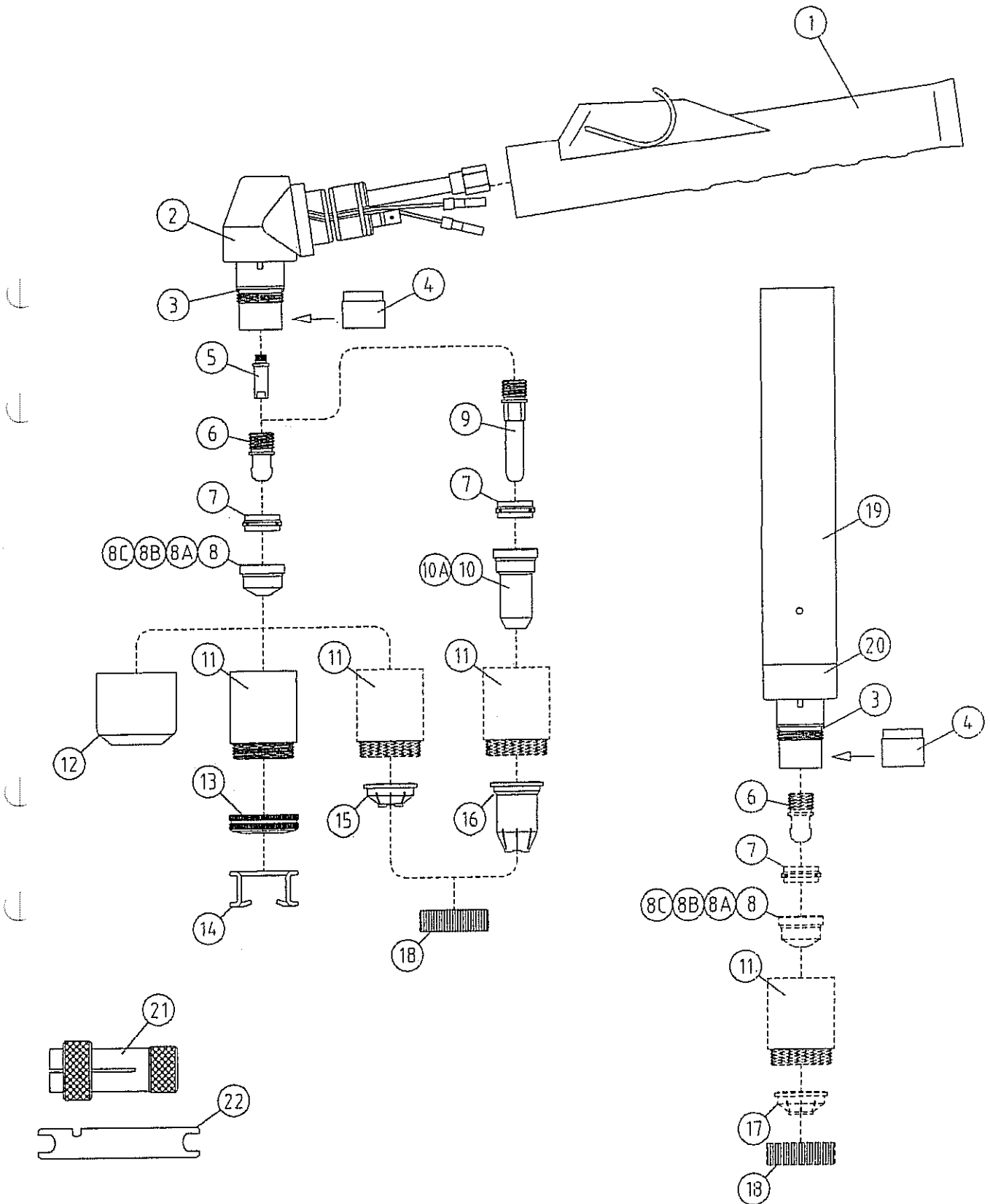


**TECHNICAL DATA:**

Security system: electrical  
 Ignition: with pilot current and HF ignition  
 Max cutting current: 60 amp.  
 Gas supply: Clean, dry air at 5,0 bar - 130 lt/min.

Ref.	Code n.	Description	N. of pieces per package	Suggested min. inventory (per machine)	Suggested additional inventory (per 10 machine)
-	W0400047	Straight handle torch, complete, central connector, 6mt. cable	1		
-	W0400046	Machine torch, complete, central connector, 6mt. cable	1		
-	WB300205 PC40	First kit of consumables (2 electrodes, 1 diffusor, 2 nozzles i.l. Ø1,0, 1 extended electrode, 1 extended nozzle, i.l. Ø1,0)			
-	WB300206 PC60	First kit of consumables (2 electrodes, 1 diffusor, 2 nozzles i.l. Ø1,2, 1 extended electrode, 1 extended nozzle, i.l. Ø1,2)			
1	W0300172	Straight handle torch body with switch	1		1
2	W0300262	Straight handle torch head	1		1
3	WB300301	O-ring	20	1	
4	WB300104	Diffusor	5	1	
5	WB300105	Electrode	10	2	
6	WB300106	Swirl ring	10	1	
7	WB300107	Nozzle, long life, Ø1	10	2	
7A	WB300108	Nozzle, long life, Ø1,2	10	2	
8	WB300109	Nozzle retaining cap	1	2	
9	WB300114	Double pointer spacer	3		
10	WB300110	Extended electrode	5	1	
11	WB300111	Extended nozzle, long life, Ø1	5	1	
11A	WB300112	Edtended nozzle, long life, Ø1,2	5	1	
12	WB300239	Spacer for contact cutting, hand	2		
13	W0300144	Machine torch holder	1		
14	W0300148	Machine torch head	1		
15	W0300149	Flat nozzle for machine torch, Ø1	10		
15A	WB300150	Flat nozzle for machine torch, Ø1,2	10		
16	WB300151	Taper nozzle for machine torch, Ø1	10		
16A	WB300152	Taper nozzle for machine torch, Ø1,2	10		
17	W0300119	Electrode wrench	1	1	

# LUFTKYLD PLASMABRÄNNARE T100/MT100 FÖR PC100/PC100M/PC100M-3V

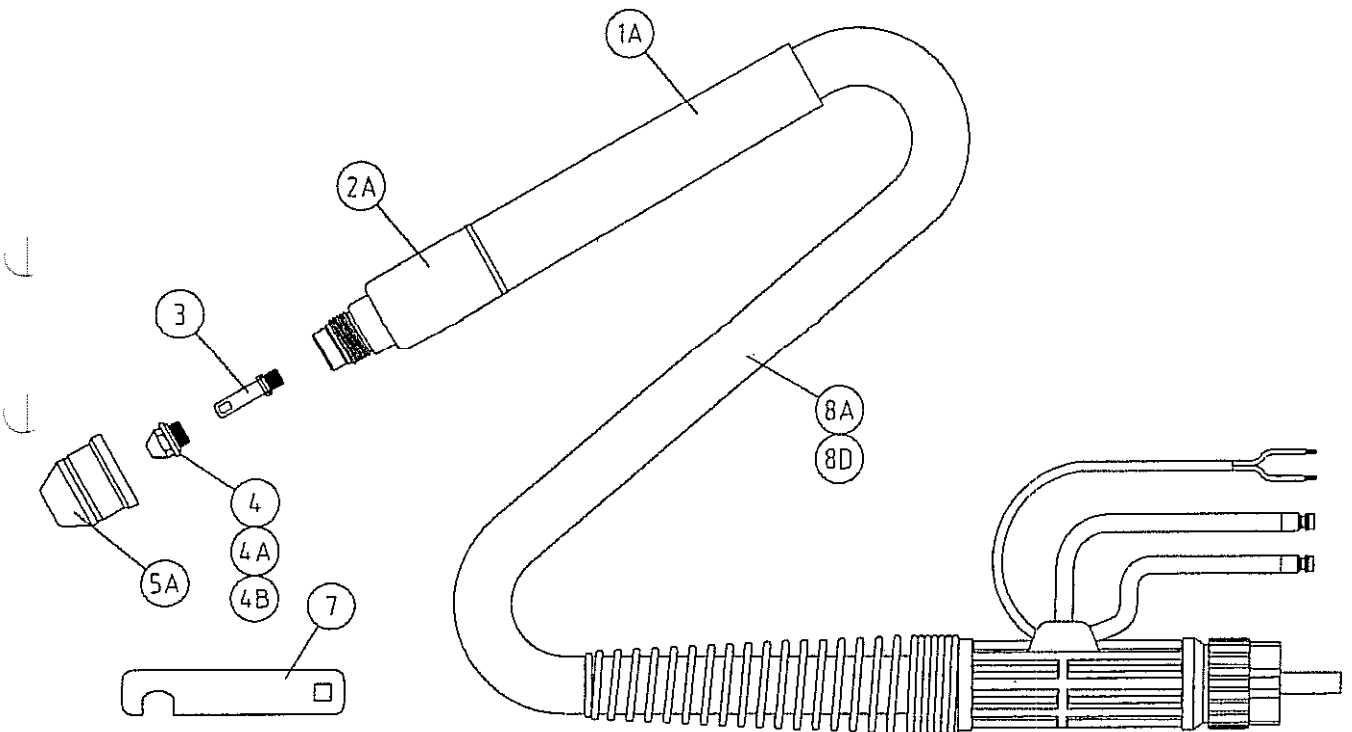
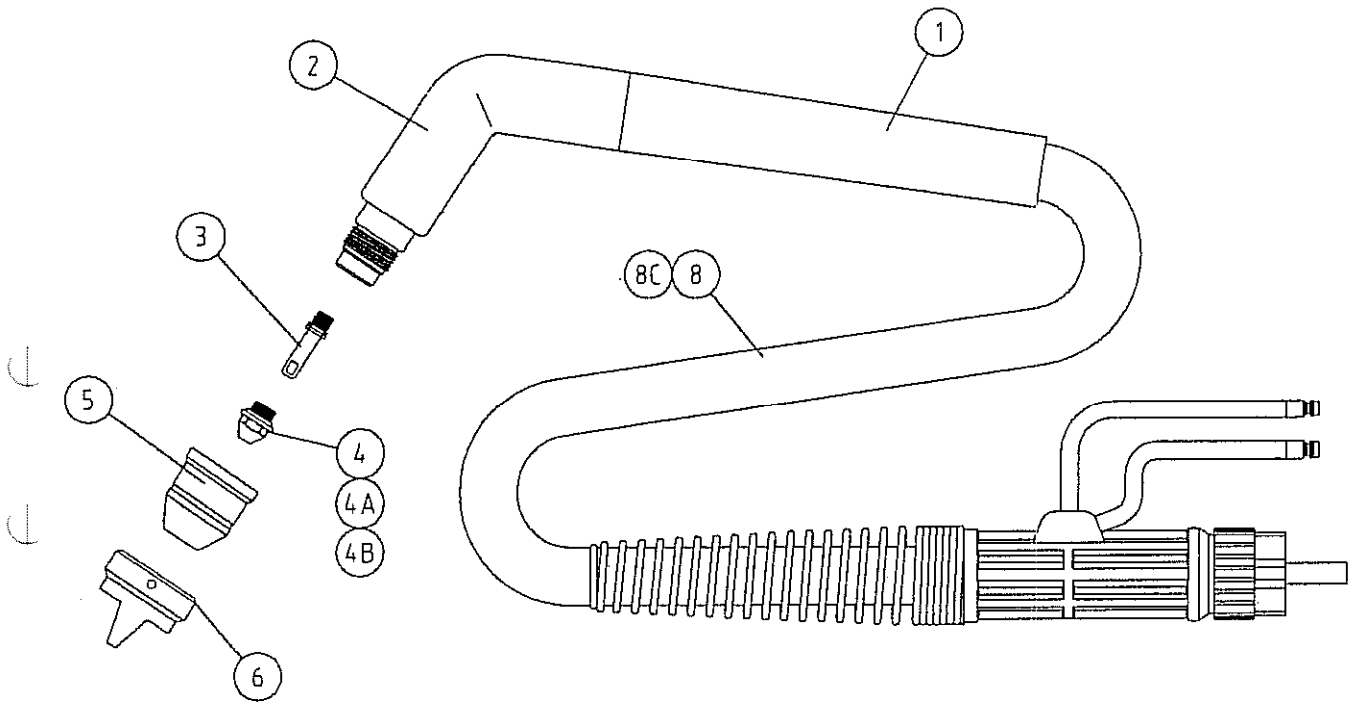


## TECHNICAL DATA:

Security system: electrical  
 Ignition: with pilot current and HF ignition  
 Max cutting current: 100 amp.  
 Gas supply: Clean, dry air at 5,0 bar - 180 lt/min.

Ref.	Code n.	Description	N. of pieces per package	Suggested min. inventory (per machine)	Suggested additional inventory (per 10 machine)
-	W0400048	Straight handle torch, complete, with central connector, 6mt. cable	1		
-	W0400045	Machine torch, complete with central connector, 6mt. cable	1		
-	WB300303	First kit of consumables (4 electrodes, 1 brass torch head)			
-	WB3A0303	First kit of consumables (1 nozzle Ø1,1, 1 nozzles Ø 1,35, 2 nozzles Ø1,6 Vespel diffusor)			
1	W0300260	Straight handle torch body	1		1
2	W0300263	Straight handle torch head	1		1
3	WB300121	O-ring	20	1	
4	WB300264	Brass torch head	2		
5	WB300122	Diffusor	10	1	
6	WB300123	Electrode	5	4	
7	WB300124	Vespel diffusor	5	1	
8	WB300125	Nozzle Ø1,1	5	4	
8A	WB300126	Nozzle, long life, Ø1,35	5	4	
8B	WB300175	Nozzle, long life, Ø1,6	5	4	
8C	WB300128	Nozzle Ø2,4	5	4	
9	WB300133	Extended electrode	5	1	
10	WB300178	Extended nozzle, Ø1,35	5	1	
10A	WB300179	Extended nozzle, Ø1,6	5	1	
11	WB300138	Contact nozzle retaining cap	1		
12	WB300132	Scarfering spacer	1		
13	WB300244	Clamping ring	5		
14	WB300245	Spacer spring	5		
15	WB300180	Contact shield cup (CE)	3		2
16	WB300183	Extended contact shield cup (CE)	2		2
17	WB300181	Machine contact shield cup (CE)	3		
18	WB300184	Locking ring	3		
19	WB300144	Machine torch support	1		
20	WB300143	Machine torch head	1		
21	WB300142	Extractor for swirl ring	1	1	
22	W0300119	Electrode wrench	1	1	

# VATTENKYLD PLASMABRÄNNARE T120 W/MT120 FÖR PC100-C



**TECHNICAL DATA:**

Security system: electrical  
Ignition: with pilot current and HF ignition  
Max cutting current: 100 amp. 80% duty cycle  
Gas supply: Clean, dry air at 4,0 bar - 50 lt/min.  
Cooling liquid: Recirculating G.E.I. liquid

Ref.	Code n.	Description	N. of pieces per package	Suggested min. inventory (per machine)	Suggested additional inventory (per 10 machine)
-	W0400038	Hand torch, complete with central connector, 6mt. cable	1		
-	W0400040	Machine torch, complete with central connector, 6mt. cable	1		
-	WB300413	First kit of consumables (1 nozzle Ø1, 1 nozzle Ø1,3, 3 nozzles Ø1,6)			
-	WB3A0413	First kit of consumables (1 teflon shield cup, 1 double pointed spacer)			
1	W0300172	Handgrip with microswitch	1		1
1A	W0300168	Machine torch holder	1		
2	W0300171	Torch head complete with electrode, nozzle and cap	1		1
2A	W0300169	Machine torch head complete with electrode, nozzle and cap	1		
3	WB300160	Electrode with O-ring	5	4	
4	WB300164	Nozzle Ø1	5	4	
4A	WB300165	Nozzle Ø1,3	5	4	
4B	WB300161	Nozzle Ø1,6	5	4	
5	WB300167	Shield cup	2	2	
5A	WB300265	Teflon shield cup	2	2	
6	WB300246	Double pointed spacer	1		
7	W0300250	Electrode and nozzle wrench	1	1	
8	W0300170	Complete cable 6mt. T 120W			
8A	W0300173	Complete cable 6mt. MT 120W			
8B	W0300247	Complete cable 12mt. T 120W			
8C	W0300249	Complete cable 12mt. MT 120W			