

CODE 52066, 52067, 52068

ASSEMBLY PAGE NAME		Machine Assembly 135S	Machine Assembly 150S	Machine Assembly 170S				
CODE NO.:	FIGURE NO.:	A	B	C				
52066	135S CE	1						
52067	150S CE		1					
52068	170S CE			1				

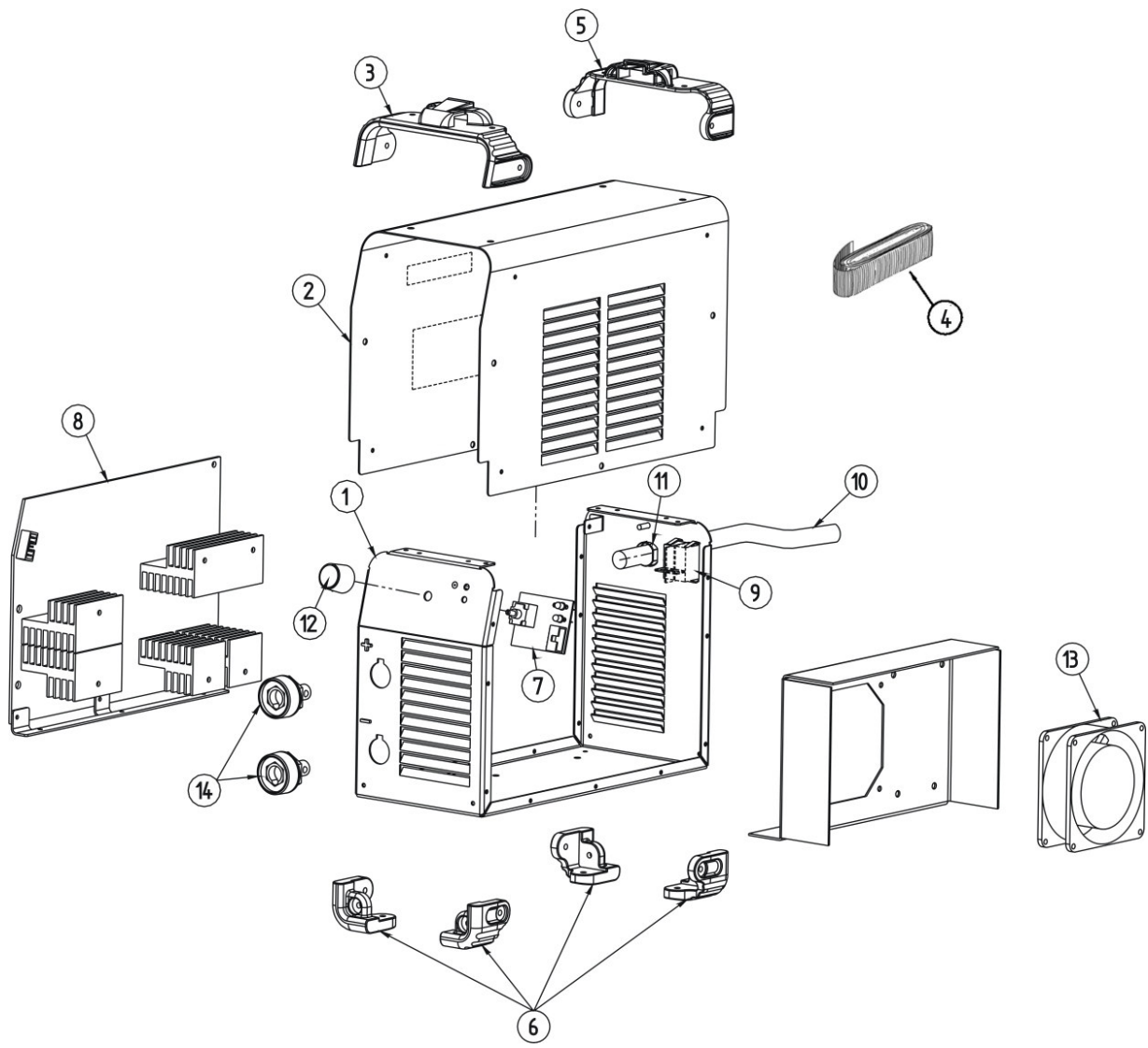


Figure A

Figure A: Machine Assembly

Item	Description	Part Number	QTY	1	2	3	4	5	6
1	MAIN FRAME + FRONT NAMEPLATE	W93X0928R + W07X0921R	1 1	X X					
2	WRAPAROUND + KIT SIDE NAMEPLATES INVERTEC	W93X1050R + W07X1186R	1 1	X X					
3	FRONT HANDLE	W95X1148-1R	1	X					
4	CARRYING STRAP	W92X1189R	1	X					
5	REAR HANDLE	W95X1148-2R	1	X					
6	KIT 4 ANTI-SLIP FOOT	W95X1149R	1	X					
7	CONTROL P.C. BOARD	W05X0906R	1	X					
8	INVERTER P.C. BOARD	W05X0908R	1	X					
9	MAINS SWITCH	W7516224R	1	X					
10	INPUT CORD	W78X0930R	1	X					
11	CABLE CLAMP	W8400037R	1	X					
12	KNOB	W8700022R	1	X					
13	FAN	W7200010R	1	X					
14	DINSE CONNECTOR	W7600036R	2	X					

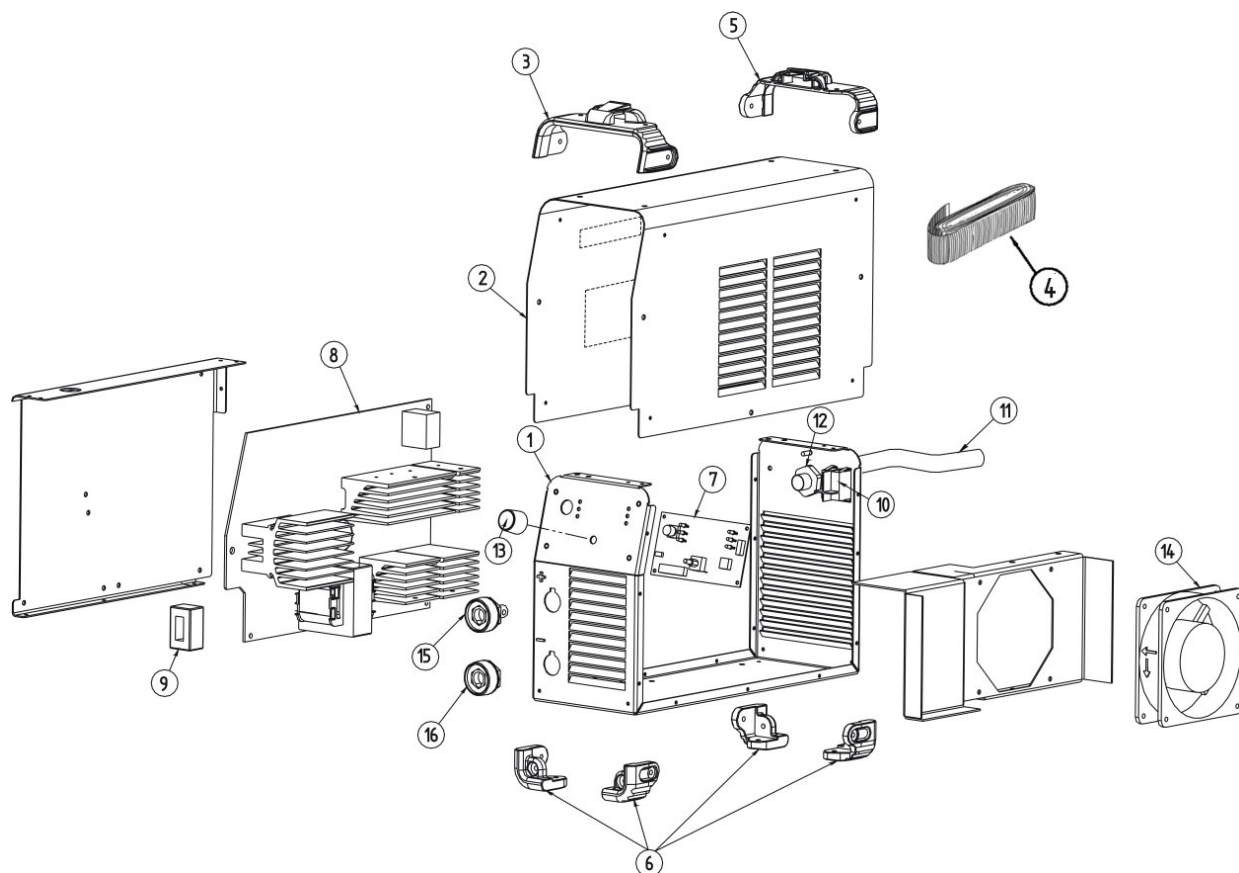


Figure B

Figure B: Machine Assembly

Item	Description	Part Number	QTY	1	2	3	4	5	6
1	MAIN FRAME + FRONT NAMEPLATE	W93X1084R + W07X0922R	1 1	X X					
2	WRAPAROUND + KIT SIDE NAMEPLATES INVERTEC	W93X1187R + W07X1186R	1 1	X X					
3	FRONT HANDLE	W95X1148-1R	1	X					
4	CARRYING STRAP	W92X1189R	1	X					
5	REAR HANDLE	W95X1148-2R	1	X					
6	KIT 4 ANTI-SLIP FOOT	W95X1149R	1	X					
7	CONTROL P.C. BOARD	W05X1088R	1	X					
8	INVERTER P.C. BOARD	W05X1064R	1	X					
9	HALL SENSOR	W4900003R	1	X					
10	MAINS SWITCH	W7516224R	1	X					
11	INPUT CORD	W78X0248R	1	X					
12	CABLE CLAMP	W8400006R	1	X					
13	KNOB	W8700022R	1	X					
14	FAN	W7200013R	1	X					
15	DINSE + CONNECTOR	W7600037R	1	X					
16	DINSE – CONNECTOR	W7600025R	1	X					

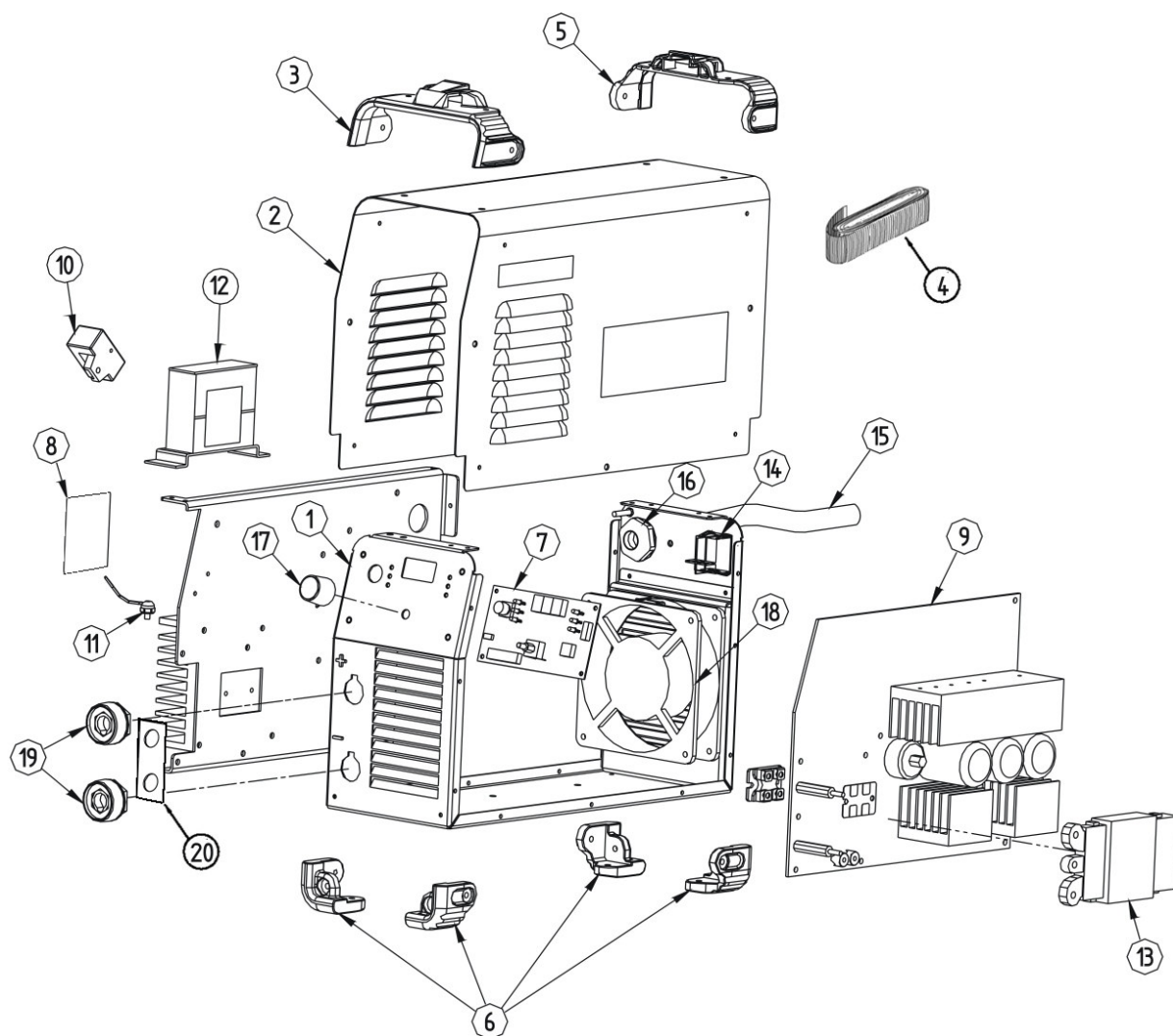


Figure C

Figure C: Machine Assembly

Item	Description	Part Number	QTY	1	2	3	4	5	6
1	MAIN FRAME + FRONT NAMEPLATE	W93X0929R	1	X					
		+ W07X0923R	1	X					
2	WRAPAROUND + KIT SIDE NAMEPLATES INVERTEC	W93X1188R	1	X					
		+ W07X1186R	2	X					
3	FRONT HANDLE	W95X1148-1R	1	X					
4	CARRYING STRAP	W92X1189R	1	X					
5	REAR HANDLE	W95X1148-2R	1	X					
6	KIT 4 ANTI-SLIP FOOT	W95X1149R	1	X					
7	DISPLAY P.C. BOARD	W05X0907R	1	X					
8	INPUT FILTER	W05X1220R	1	X					
9	INVERTER P.C. BOARD	W05X0909R	1	X					
10	HALL SENSOR	W4900003R	1	X					
11	THERMOSTAT SENSOR	W9600081R	1	X					
12	OUT INDUCTOR	W58X1182R	1	X					
13	POWER TRANSFORMER	W59X0988R	1	X					
14	MAINS SWITCH	W7516224R	1	X					
15	INPUT CORD	W78X1087R	1	X					
16	CABLE CLAMP	W8400006R	1	X					
17	KNOB	W8700022R	1	X					
18	FAN	W7200013R	1	X					
19	DINSE CONNECTOR	W7600025R	2	X					
20	OUTPUT FILTER	W05X1221R	1	X					